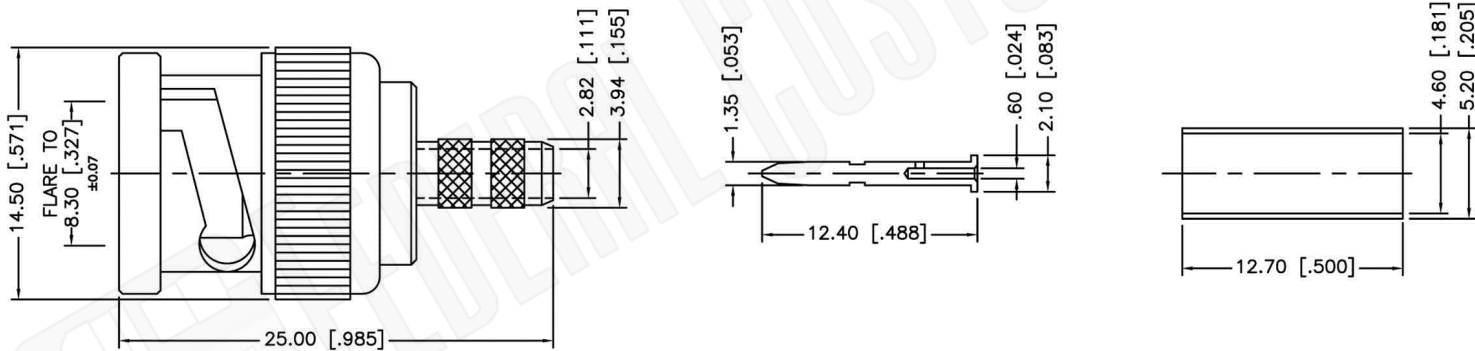


RECOMMENDED CABLE STRIPPING DIM'S



Material Specifications

Cable(s): RG180-RG195-B8218-B1855
 Body: Brass
 Finish: Nickel
 Insulation: Teflon
 Impedence: 50 Ohms



FCC Federal Custom Cable
 www.FCCable.com
 1891 Alton Parkway, Irvine, CA 92606
 Phone: (949) 851-3114 | Fax: (949) 852-8136
 Sales@FCCable.com

CAGE CODE
 1UKX3
 Dimensions
 Millimeters | Inches
 Scale: N/A
 Revision:

Part Number:
C1011
 NOTES:
 1. DIMENSIONS ARE IN MILLIMETERS | INCHES
 2. UNLESS OTHERWISE SPECIFIED ALL DIMENSIONS ARE NOMINAL
 3. SPECIFICATIONS ARE SUBJECT TO CHANGE WITHOUT NOTICE

Description:
BNC MALE CONNECTOR CRIMP FOR RG180, RG195, B8218, B1855 CABLES
 THIS DRAWING CONTAINS PROPRIETARY INFORMATION THAT BELONGS TO FEDERAL CUSTOM CABLE, LLC. ANY UNAUTHORIZED USE OF THIS DRAWING IS PROHIBITED WITHOUT WRITTEN PERMISSION FROM FEDERAL CUSTOM CABLE. ALL RIGHTS RESERVED. ©2016 COPYRIGHT FEDERAL CUSTOM CABLE, LLC.