

## 1.0/2.3 CONNECTOR SPECIFICATIONS

### **FEATURES :**

- Push-Pull coupling locking
- Positive mating locking
- Smaller size saves space
- Comply with DIN 41626 international Specs

### **APPLICATIONS :**

- Cable Assemblies
- Base Stations
- Datacom
- Switching Equipment
- Telecom

### **ELECTRICAL SPECIFICATIONS**

<u>Impedance</u>	<u>50 <math>\Omega</math> / 75 <math>\Omega</math></u>
<u>Frequency Range</u>	<u>0 – 4 GHz / 0 – 1 GHz</u>
<u>Working Voltage</u>	<u><math>\geq</math> 250 VRMS</u>
<u>Dielectric Withstanding Voltage</u>	<u>750 VRMS at sea level</u>
<u>VSWR</u>	<u>Straight : 1.15 max</u>
	<u>Right Angle : 1.2 max</u>
<u>Contact Resistance</u>	<u>Center Contact : <math>\leq</math> 6 m<math>\Omega</math></u>
	<u>Outer Contact : <math>\leq</math> 3 m<math>\Omega</math></u>
<u>Insulation Resistance</u>	<u>10,000 M<math>\Omega</math> min.</u>

### **MATERIAL SPECIFICATIONS**

<u>Body and outer contacts</u>	<u>Brass, nickel or gold plated</u>
<u>Male contact</u>	<u>Brass, gold plated</u>
<u>Female contact</u>	<u>Beryllium Copper, gold plated</u>
<u>Insulator</u>	<u>PTFE</u>
<u>Crimp ferrule</u>	<u>Copper or brass, nickel or gold plated</u>

### **MECHANICAL SPECIFICATIONS**

<u>Contact Retention</u>	<u><math>\geq</math> 4 lbs</u>
<u>Engagement Force</u>	<u><math>\leq</math> 2.3 lbs</u>
<u>Disengagement Force</u>	<u><math>\geq</math> 2.3 lbs</u>
<u>Durability (matings)</u>	<u>500 cycles min.</u>

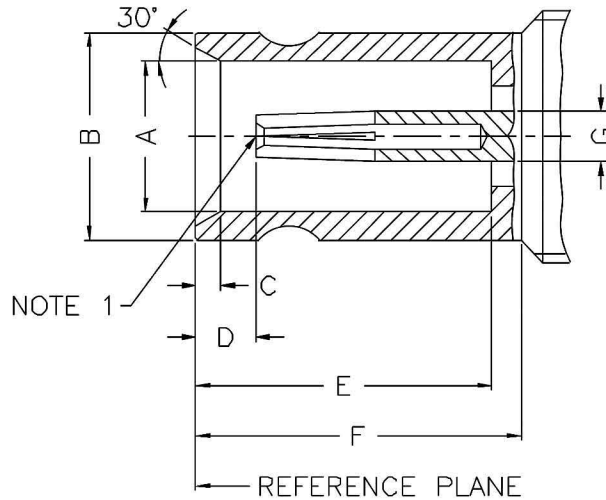
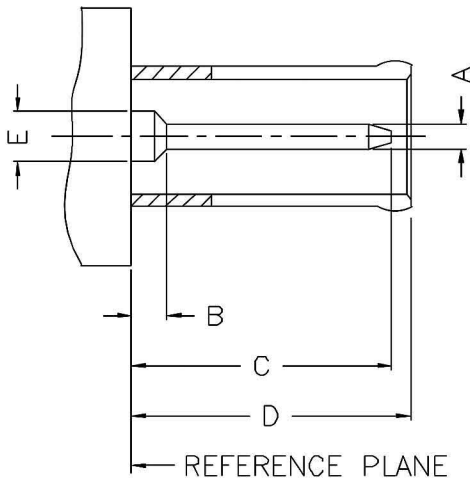
### **ENVIRONMENTAL**

Compliant with the requirements for RoHS Directive 2001/65/eu issued June 8, 2011

Temperature Range -40°C to +155°C

## 1.0/2.3 MATING DIMENSIONS

### INTERFACE MATING DIMENSIONS



PLUG		
Letter	Millimeters	
	Minimum	Maximum
A	0.48	0.52
B	-	1.15
C	-	5.50
D	5.40	5.70
E	0.98	1.02

JACK		
Letter	Millimeters	
	Minimum	Maximum
A	3.00	3.06
B	4.03	4.15
C	0.50	0.60
D	1.15	-
E	5.80	5.90
F	6.40	6.50
G	0.98	1.02

**Note 1** : I.D. to meet VSWR and contact resistance when mated with 0.48/0.52 mm dia. pin.