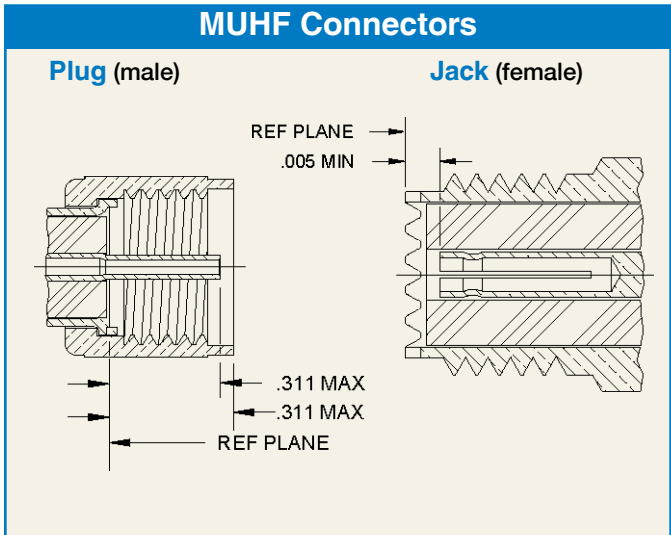
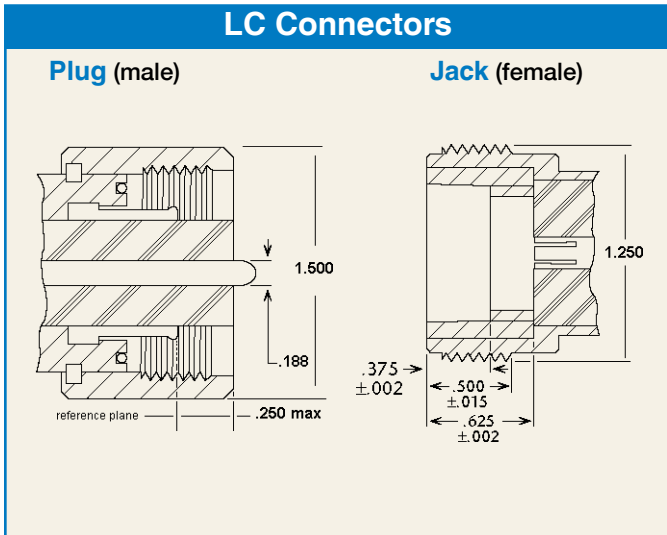
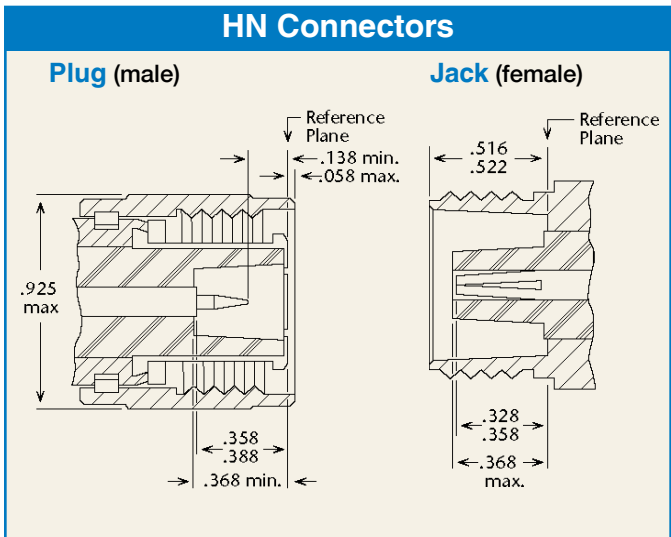
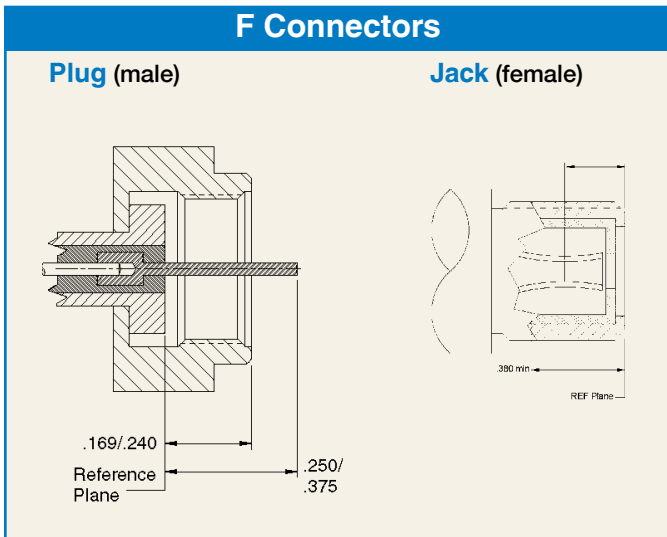
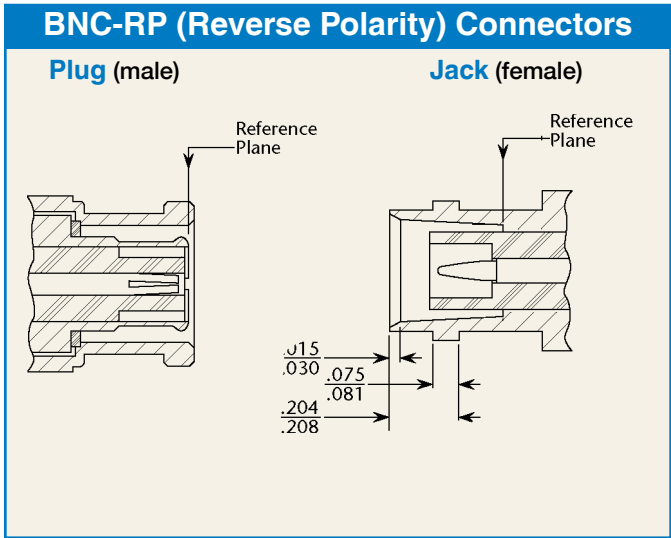
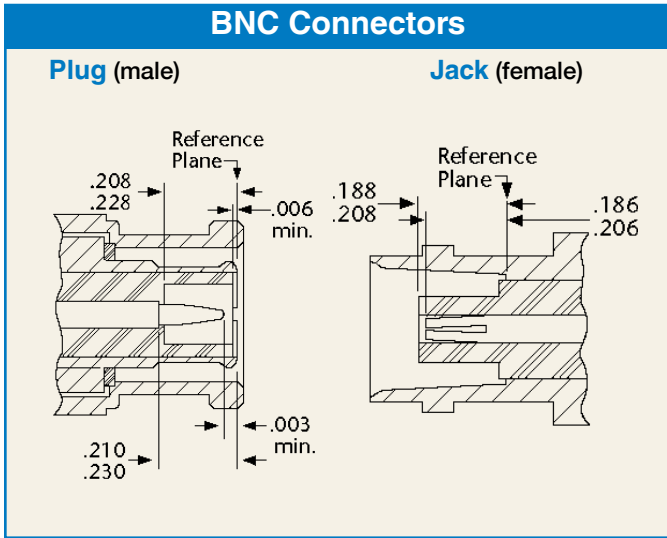


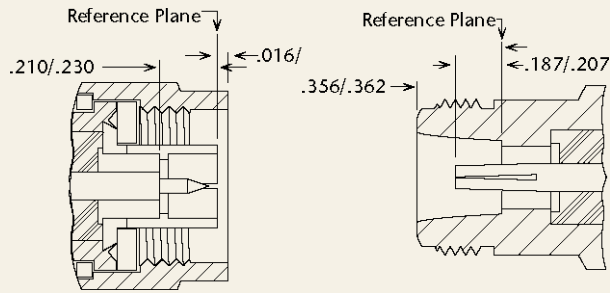
Connector Interface Guide



N Connectors

Plug (male)

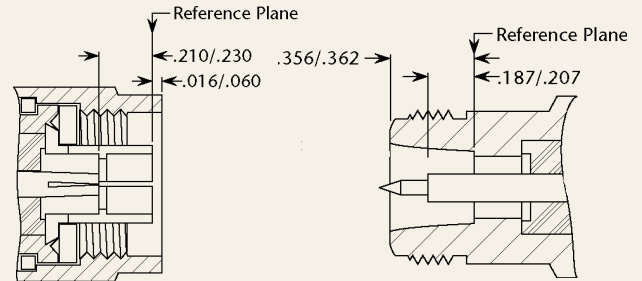
Jack (female)



N-RP (Reverse Polarity) Connectors

Plug (male)

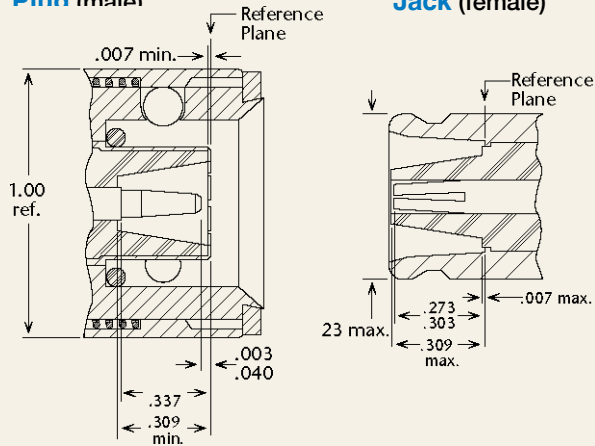
Jack (female)



QDS Connectors

Plug (male)

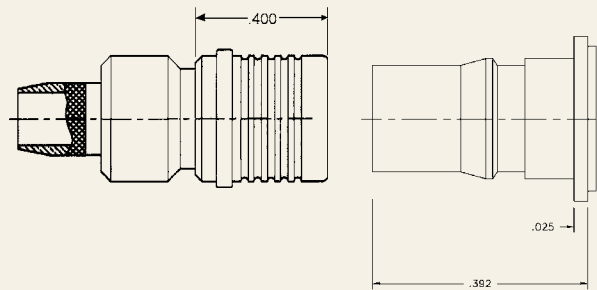
Jack (female)



QMA Connectors

Plug (male)

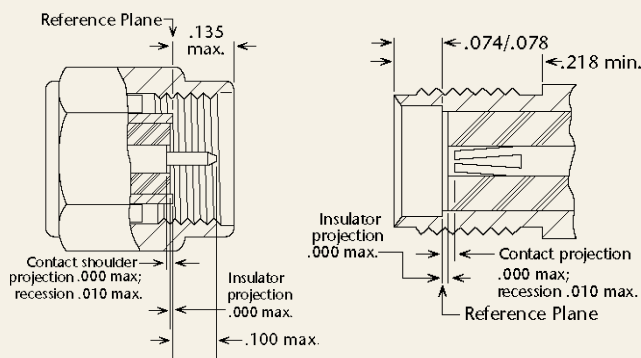
Jack (female)



SMA Connectors

Plug (male)

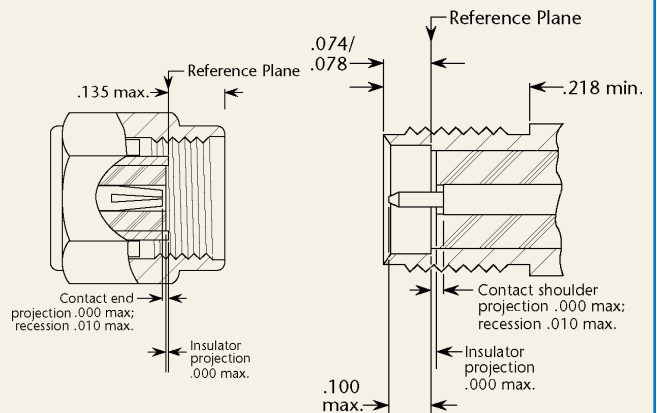
Jack (female)



SMA-RP (Reverse Polarity) Connectors

Plug (male)

Jack (female)

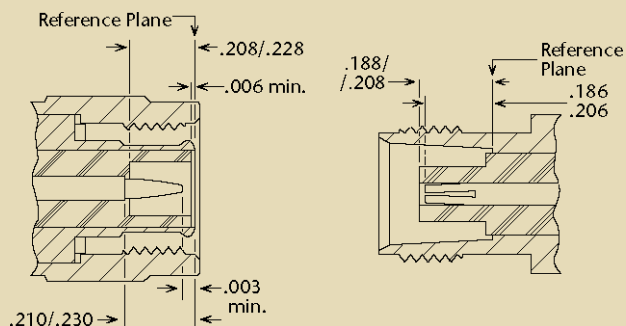


Connector Interface Guide

TNC Connectors

Plug (male)

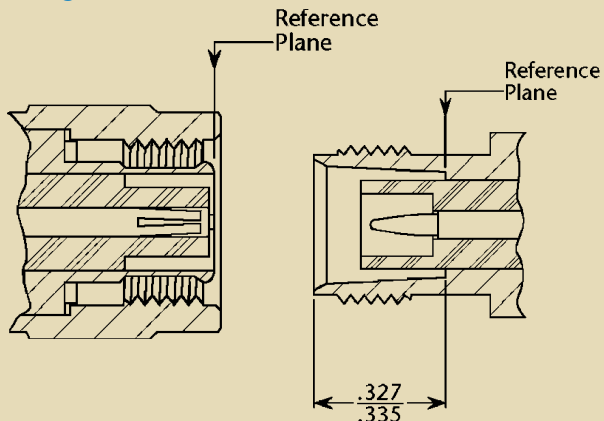
Jack (female)



TNC-RP (Reverse Polarity) Connectors

Plug (male)

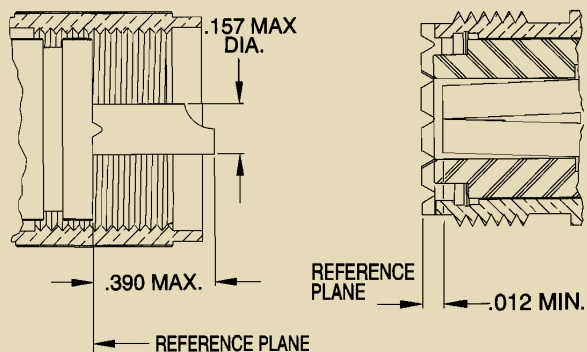
Jack (female)



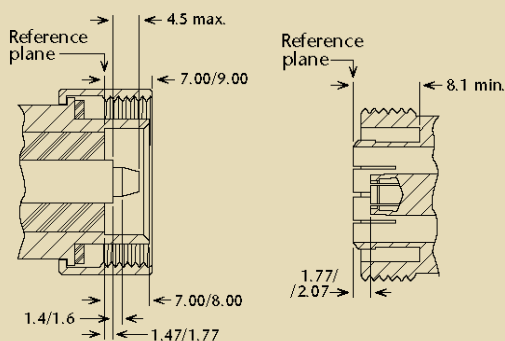
UHF Connectors

Plug (male)

Jack (female)



7/16 DIN Connectors

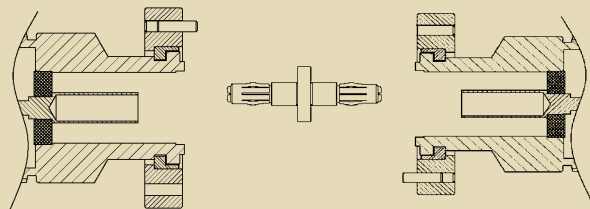


7/8 EIA Connectors

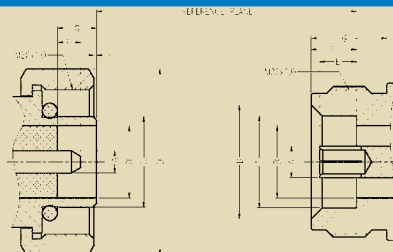
Jack (female)

Male - Male Bullet

Jack (female)



4.1/9.5 mini DIN Interface



	4.1 9.5 (50 Ohm)			
	MALE		FEMALE	
	min.	max.	min.	max.
A	2.885	2.945	4.15	nom.
B	9.40	9.60	9.40	9.60
C	11.84	12.02	12.03	12.21
D	24.0	nom.	14.90	15.0
E	0.00	1.30	4.75	5.03
F	2.00	4.00	5.80	6.20
G	5.05	5.35	8.00	

All dimensions are in millimeter