

## 1.6/5.6 CONNECTOR SPECIFICATIONS

### FEATURES :

- European design, 75 ohm version
- Snap-On with threaded coupling mating
- Easy connection and disconnection

### APPLICATIONS :

- Cable Assemblies
- Base Stations
- Datacom
- Telecom

### ELECTRICAL SPECIFICATIONS

Impedance	75 $\Omega$
Frequency Range	0 – 1 GHz
Working Voltage	$\geq$ 335 VRMS
Dielectric Withstanding Voltage	1000 VRMS at sea level
VSWR	Straight : 1.15 max Right Angle : 1.2 max
Contact Resistance	Center Contact : $\leq$ 4 m $\Omega$ Outer Contact : $\leq$ 2 m $\Omega$
Insulation Resistance	1,000 M $\Omega$ min.

### MATERIAL SPECIFICATIONS

Body and outer contacts	Brass, nickel or gold plated
Male contact	Brass, gold plated
Female contact	Beryllium Copper, gold plated
Insulator	PTFE
Crimp ferrule	Copper or brass, nickel or gold plated

### MECHANICAL SPECIFICATIONS

Contact Retention	$\geq$ 6 lbs
Durability (matings)	500 cycles min.

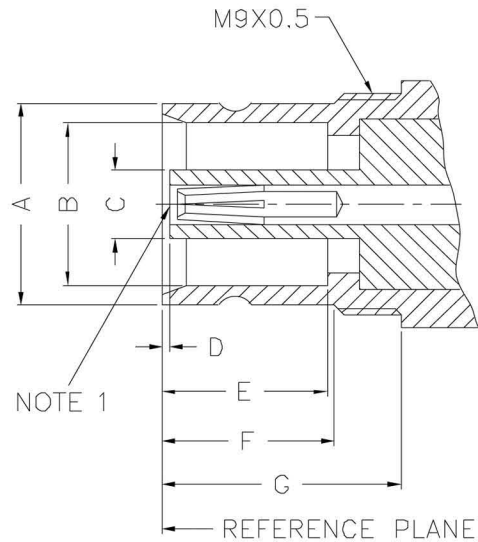
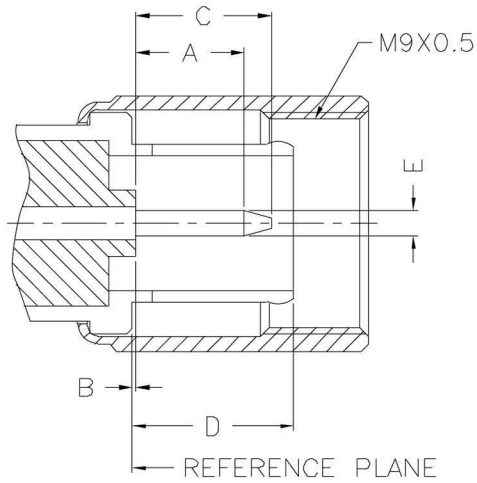
### ENVIRONMENTAL

Compliant with the requirements for RoHS Directive 2001/65/eu issued June 8, 2011

Temperature Range	-40°C to +155°C
-------------------	-----------------

## 1.6/5.6 MATING DIMENSIONS

### INTERFACE MATING DIMENSIONS



PLUG		
Letter	Millimeters	
	Minimum	Maximum
A	3.90	4.30
B	-	0.15
C	-	5.50
D	-	6.60
E	1.00	1.06

JACK		
Letter	Millimeters	
	Minimum	Maximum
A	8.10	8.25
B	6.60	6.69
C	-	2.80
D	0.25	-
E	6.70	-
F	7.00	7.50
G	9.70	-

**Note 1** : I.D. to meet VSWR and contact resistance when mated with 1.0/1.06 mm dia. pin.