

MCX CONNECTOR SPECIFICATIONS

FEATURES :

- Push-on / pull-off mating
- Weight and space saving
- Available for both 50Ω and 75Ω

APPLICATIONS :

- Base Stations
- Communication Systems
- Instrumentation
- GPS
- Cellular Telephone
- Wireless Network Antennas

ELECTRICAL SPECIFICATIONS

Impedance	50 Ω / 75 Ω
Frequency Range	0 – 6 GHz / 0-3 GHz
Working Voltage	≤ 335 VRMS at sea level
Dielectric Withstanding Voltage	100 VRMS at sea level
VSWR	Straight : 1.3 max Right Angle : 1.5 max
Contact Resistance	Center Contact : ≤ 5 mΩ Outer Contact : ≤ 2.5 mΩ
Insulator Resistance	1000 MΩ min.

MATERIAL SPECIFICATIONS

Body and outer contacts	Brass, gold plated
Male contact	Brass, gold plated
Female contact	Beryllium Copper, gold plated
Insulator	PTFE
Crimp ferrule	Copper or brass, gold plated

MECHANICAL SPECIFICATIONS

Contact Retention	≥ 2.3 lbs
Engagement Force	≤ 5.6 lbs
Disengagement Force	≥ 2.3 lbs
Durability (matings)	500 cycles min.

ENVIRONMENTAL

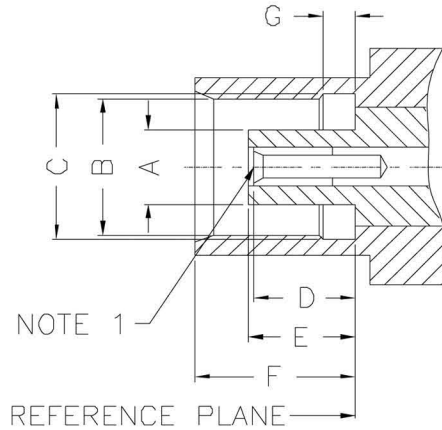
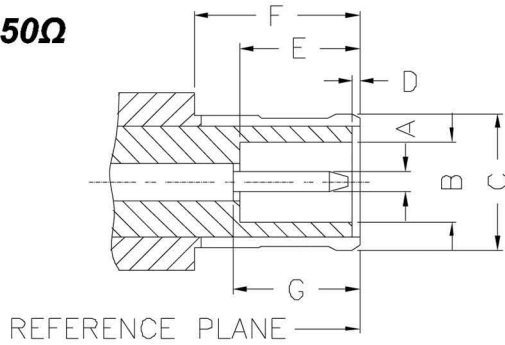
Compliant with the requirements for RoHS Directive 2001/65/eu issued June 8, 2011

Temperature Range	-55°C to +155°C
-------------------	-----------------

MCX MATING DIMENSIONS

INTERFACE MATING DIMENSIONS

50Ω



PLUG		
Letter	Millimeters	
	Minimum	Maximum
A	0.48	0.53
B	2.00	2.07
C	3.66	3.76
D	0.00	0.30
E	2.81	3.20
F	4.16	-
G	2.81	3.20

JACK		
Letter	Millimeters	
	Minimum	Maximum
A	1.80	1.97
B	3.43	3.48
C	3.61	3.75
D	2.31	2.79
E	2.61	2.79
F	4.00	4.12
G	0.75	0.85

Note 1 : I.D. to meet VSWR and contact resistance when mated with 0.48/0.53 mm dia. pin.

75Ω

