

## MMCX CONNECTOR SPECIFICATIONS

### FEATURES :

- Quick connect / disconnect snap-on mating
- Low-Profile PCB receptacles
- Low cost combined with high quality

### APPLICATIONS :

- Antennas
- Wireless Base Stations
- PCMCIA Cards
- GPS
- Telecom
- Radio Boards

### ELECTRICAL SPECIFICATIONS

<u>Impedance</u>	<u>50 Ω</u>
<u>Frequency Range</u>	<u>0 – 6 GHz</u>
<u>Working Voltage</u>	<u>≤ 170 VRMS at sea level</u>
<u>Dielectric Withstanding Voltage</u>	<u>500 VRMS at sea level</u>
<u>VSWR</u>	<u>Straight : 1.3 max</u>
	<u>Right Angle : 1.5 max</u>
<u>Contact Resistance</u>	<u>Center Contact : ≤ 5 mΩ</u>
	<u>Outer Contact : ≤ 2.5 mΩ</u>
<u>Insulator Resistance</u>	<u>1000 MΩ min.</u>

### MATERIAL SPECIFICATIONS

<u>Body and outer contacts</u>	<u>Brass, gold plated</u>
<u>Male contact</u>	<u>Brass, gold plated</u>
<u>Female contact</u>	<u>Beryllium Copper, gold plated</u>
<u>Insulator</u>	<u>PTFE</u>
<u>Crimp ferrule</u>	<u>Copper or brass, gold plated</u>

### MECHANICAL SPECIFICATIONS

<u>Contact Retention</u>	<u>≥ 2.3 lbs</u>
<u>Engagement Force</u>	<u>≤ 3.4 lbs</u>
<u>Disengagement Force</u>	<u>≥ 1.4 lbs</u>
<u>Durability (matings)</u>	<u>500 cycles min.</u>

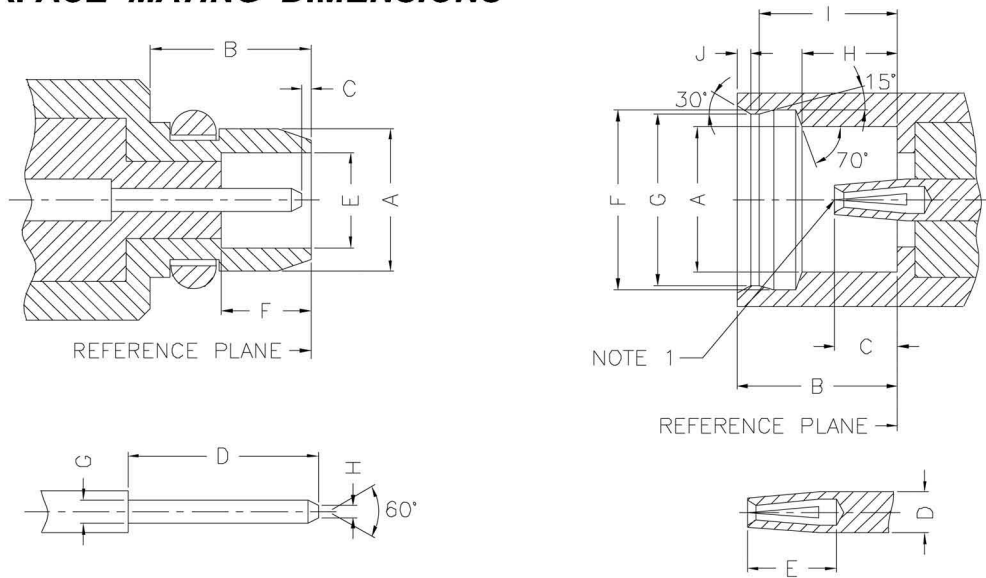
### ENVIRONMENTAL

Compliant with the requirements for RoHS Directive 2001/65/eu issued June 8, 2011

<u>Temperature Range</u>	<u>-55°C to +155°C</u>
--------------------------	------------------------

## MMCX MATING DIMENSIONS

### INTERFACE MATING DIMENSIONS



PLUG		
Letter	Millimeters	
	Minimum	Maximum
A	-	2.40
B	2.70	-
C	0.00	0.25
D	-	3.15
E	1.58	1.62
F	1.45	-
G	0.38	0.42
H	-	0.20

JACK		
Letter	Millimeters	
	Minimum	Maximum
A	2.41	-
B	2.60	-
C	0.90	1.20
D	0.68	0.72
E	1.40	-
F	3.00	3.04
G	2.87	2.90
H	1.57	1.63
I	2.30	2.34
J	-	0.23

**Note 1** : I.D. to meet VSWR and contact resistance when mated with 0.38/0.42 mm dia. pin.