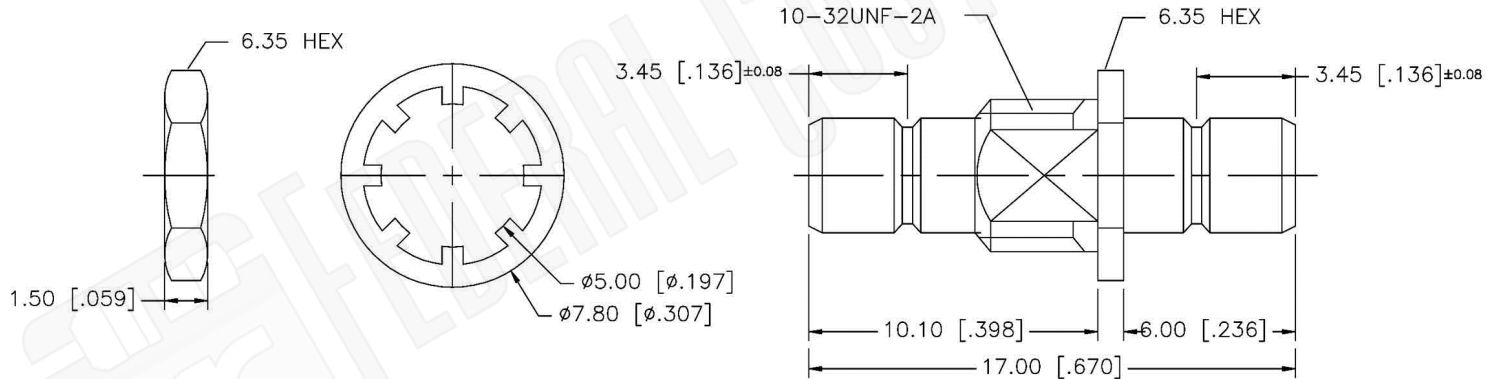


RECOMMENDED MOUNTING HOLE



Material Specifications

Body: Brass
 Finish: Nickel
 Insulation: Teflon
 Impedance: 75 Ohms



FCC Federal Custom Cable
www.FCCable.com
 1891 Alton Parkway, Irvine, CA 92606
 Phone: (949) 851-3114 | Fax: (949) 852-8136
Sales@FCCable.com

<p>CAGE CODE 1UKX3</p>	<p>Part Number: A1821</p>	<p>Description: 75 OHM SMB JACK TO 75 OHM SMB JACK ADAPTER</p>
<p>Dimensions Millimeters Inches</p>	<p>Scale: N/A</p>	
<p>Revision:</p>	<p>NOTES: 1. DIMENSIONS ARE IN MILLIMETERS INCHES 2. UNLESS OTHERWISE SPECIFIED ALL DIMENSIONS ARE NOMINAL 3. SPECIFICATIONS ARE SUBJECT TO CHANGE WITHOUT NOTICE</p>	<p>THIS DRAWING CONTAINS PROPRIETARY INFORMATION THAT BELONGS TO FEDERAL CUSTOM CABLE, LLC. ANY UNAUTHORIZED USE OF THIS DRAWING IS PROHIBITED WITHOUT WRITTEN PERMISSION FROM FEDERAL CUSTOM CABLE. ALL RIGHTS RESERVED. ©2016 COPYRIGHT FEDERAL CUSTOM CABLE, LLC.</p>