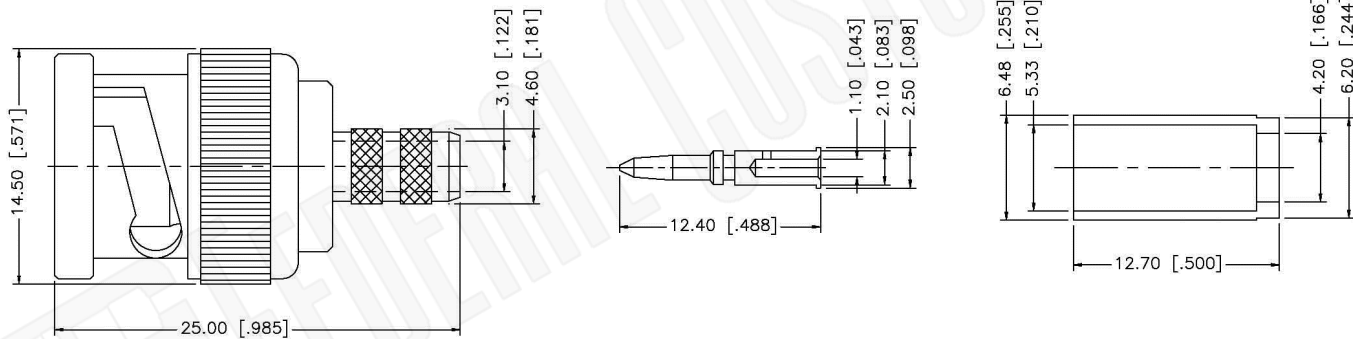


RECOMMENDED  
CABLE STRIPPING DIM'S



**Material Specifications**

Cable(s): 58 PLENUM, THINNET, 122U, B88240, B8;  
 Body: Brass  
 Finish: Nickel  
 Insulation: Delrin  
 Impedence: 50 Ohms



**Federal Custom Cable**  
[www.FCCable.com](http://www.FCCable.com)

**CAGE CODE**  
 1UKX3

**Part Number:**

**Description:**

**C1018**

**BNC MALE CONNECTOR CRIMP FOR RG58P, RG122,  
 B88240, B89907 CABLES**

**Dimensions**  
 Millimeters | Inches

1891 Alton Parkway, Irvine, CA 92606  
 Phone: (949) 851-3114 | Fax: (949) 852-8136  
[Sales@FCCable.com](mailto:Sales@FCCable.com)

**Scale:** N/A

**Revision:**

**NOTES:**  
 1. DIMENSIONS ARE IN MILLIMETERS | INCHES  
 2. UNLESS OTHERWISE SPECIFIED ALL DIMENSIONS ARE NOMINAL  
 3. SPECIFICATIONS ARE SUBJECT TO CHANGE WITHOUT NOTICE

THIS DRAWING CONTAINS PROPRIETARY INFORMATION THAT BELONGS TO FEDERAL CUSTOM CABLE, LLC. ANY UNAUTHORIZED USE OF THIS DRAWING IS PROHIBITED WITHOUT WRITTEN PERMISSION FROM FEDERAL CUSTOM CABLE. ALL RIGHTS RESERVED. ©2016 COPYRIGHT FEDERAL CUSTOM CABLE, LLC.