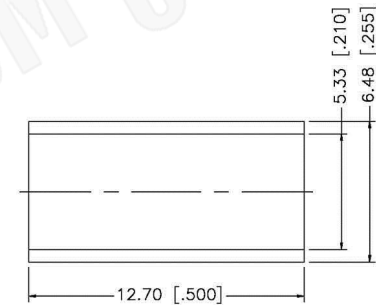
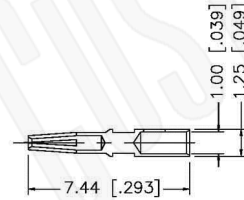
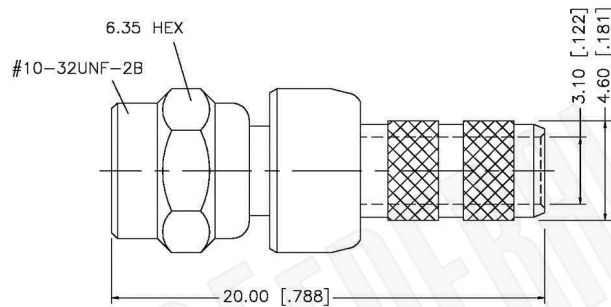


RECOMMENDED CABLE STRIPPING DIMS.



CRIMP NOTES:

1. CRIMPED FERRULE  
HEX CRIMP SIZE .213"
2. CONTACT PIN TO SOLDER

**Material Specifications**

Cable(s): RG58,58A,58C,141,303,LMR195,B7806A  
 Body: Brass  
 Finish: Gold  
 Insulation: Teflon  
 Impedence: 50 Ohms



**FCC Federal Custom Cable**  
[www.FCCable.com](http://www.FCCable.com)

CAGE CODE  
1UKX3

Part Number:

Description:

**C1173**

**SMC PLUG CONNECTOR CRIMP FOR RG55, RG142,  
 RG223, RG400 CABLES**

Dimensions  
Millimeters | Inches

Scale: N/A

Revision:

NOTES:  
 1. DIMENSIONS ARE IN MILLIMETERS | INCHES  
 2. UNLESS OTHERWISE SPECIFIED ALL DIMENSIONS ARE NOMINAL  
 3. SPECIFICATIONS ARE SUBJECT TO CHANGE WITHOUT NOTICE

THIS DRAWING CONTAINS PROPRIETARY INFORMATION THAT BELONGS TO FEDERAL CUSTOM CABLE, LLC. ANY UNAUTHORIZED USE OF THIS DRAWING IS PROHIBITED WITHOUT WRITTEN PERMISSION FROM FEDERAL CUSTOM CABLE. ALL RIGHTS RESERVED. ©2016 COPYRIGHT FEDERAL CUSTOM CABLE, LLC.

1891 Alton Parkway, Irvine, CA 92606  
 Phone: (949) 851-3114 | Fax: (949) 852-8136

[Sales@FCCable.com](mailto:Sales@FCCable.com)