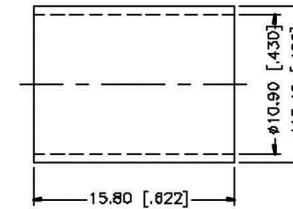
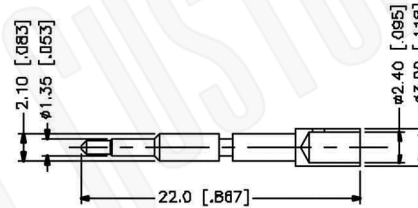
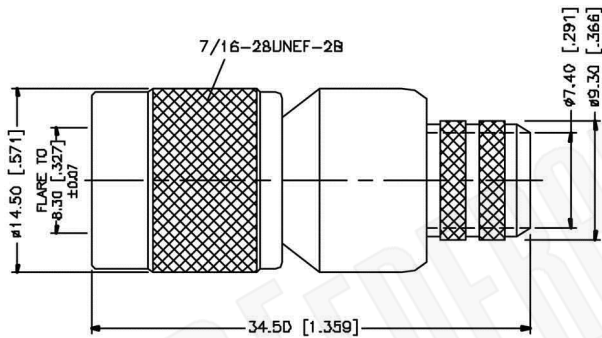


RECOMMENDED CABLE STRIPPING DIMENSIONS



NOTE:

1. CRIMPED FERRULE
HEX CRIMP SIZE .428"
2. CRIMPED CONTACT PIN
HEX CRIMP SIZE .100"

Material Specifications

Cable(s):
 Body: ASDF
 Finish: ADSF
 Insulation: ADSF
 Impedence: Ohms



Federal Custom Cable
www.FCCable.com

CAGE CODE
1UKX3

Part Number:

C1199

Description:

**TNC MALE CONNECTOR CRIMP FOR RG8, RG213,
 RG393 CABLES**

Dimensions
 Millimeters | Inches

Scale: N/A

Revision:

NOTES:

1. DIMENSIONS ARE IN MILLIMETERS | INCHES
2. UNLESS OTHERWISE SPECIFIED ALL DIMENSIONS ARE NOMINAL
3. SPECIFICATIONS ARE SUBJECT TO CHANGE WITHOUT NOTICE

THIS DRAWING CONTAINS PROPRIETARY INFORMATION THAT BELONGS TO FEDERAL CUSTOM CABLE, LLC. ANY UNAUTHORIZED USE OF THIS DRAWING IS PROHIBITED WITHOUT WRITTEN PERMISSION FROM FEDERAL CUSTOM CABLE. ALL RIGHTS RESERVED. ©2016 COPYRIGHT FEDERAL CUSTOM CABLE, LLC.

1891 Alton Parkway, Irvine, CA 92606
 Phone: (949) 851-3114 | Fax: (949) 852-8136

Sales@FCCable.com