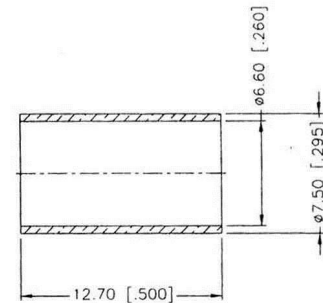
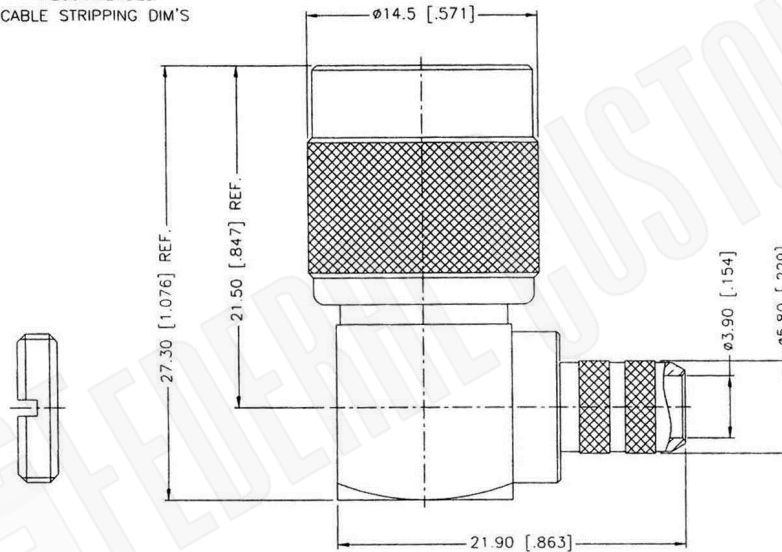


RECOMMENDED
CABLE STRIPPING DIM'S



NOTE:
1. CRIMPED FERRULE
HEX CRIMP SIZE .255"
2. SOLDER CENTER CONTACT

Material Specifications

Cable(s): RG59,62,140,210
Body: Brass
Finish: Nickel
Insulation: Delrin
Impedence: 50 Ohms



Federal Custom Cable
www.FCCable.com

CAGE CODE
1UKX3

Part Number:

Description:

C1204

**TNC MALE CONNECTOR RIGHT ANGLE CRIMP FOR
RG59, RG62, RG140, RG210 CABLES**

Dimensions
Millimeters | Inches

Scale: N/A

Revision:

NOTES:
1. DIMENSIONS ARE IN MILLIMETERS | INCHES
2. UNLESS OTHERWISE SPECIFIED ALL DIMENSIONS ARE NOMINAL
3. SPECIFICATIONS ARE SUBJECT TO CHANGE WITHOUT NOTICE

THIS DRAWING CONTAINS PROPRIETARY INFORMATION THAT BELONGS TO FEDERAL CUSTOM CABLE, LLC. ANY UNAUTHORIZED USE OF THIS DRAWING IS PROHIBITED WITHOUT WRITTEN PERMISSION FROM FEDERAL CUSTOM CABLE. ALL RIGHTS RESERVED. ©2016 COPYRIGHT FEDERAL CUSTOM CABLE, LLC.

1891 Alton Parkway, Irvine, CA 92606
Phone: (949) 851-3114 | Fax: (949) 852-8136

Sales@FCCable.com