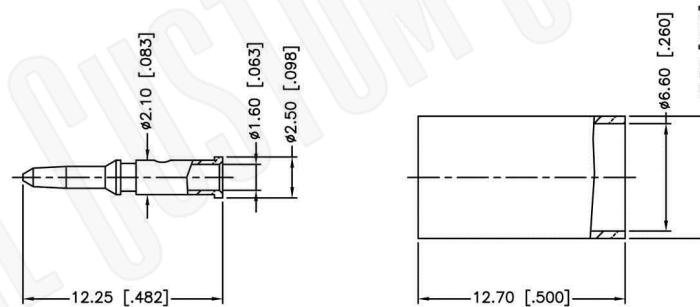
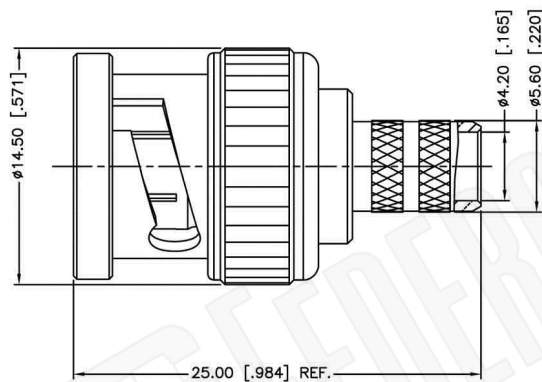


RECOMMENDED
CABLE STRIPPING DIM'S



1. CRIMPED FERRULE
HEX. CRIMP SIZE .255"
2. CRIMPED CONTACT PIN
HEX. CRIMP SIZE .068"
3. CRIMP TOOL: A

Material Specifications

Cable(s): RG8X, LMR240, B7808A
 Body: Brass
 Finish: Nickel
 Insulation: Delrin
 Impedence: 50 Ohms



Federal Custom Cable
www.FCCable.com
 1891 Alton Parkway, Irvine, CA 92606
 Phone: (949) 851-3114 | Fax: (949) 852-8136
Sales@FCCable.com

CAGE CODE
1UKX3

Dimensions
Millimeters | Inches

Scale: N/A

Revision:

Part Number:

C1277

Description:

**BNC MALE CONNECTOR CRIMP FOR RG8X, LMR240,
B7808A CABLES**

NOTES:
 1. DIMENSIONS ARE IN MILLIMETERS | INCHES
 2. UNLESS OTHERWISE SPECIFIED ALL DIMENSIONS ARE NOMINAL
 3. SPECIFICATIONS ARE SUBJECT TO CHANGE WITHOUT NOTICE

THIS DRAWING CONTAINS PROPRIETARY INFORMATION THAT BELONGS TO FEDERAL CUSTOM CABLE, LLC. ANY UNAUTHORIZED USE OF THIS DRAWING IS PROHIBITED WITHOUT WRITTEN PERMISSION FROM FEDERAL CUSTOM CABLE. ALL RIGHTS RESERVED. ©2016 COPYRIGHT FEDERAL CUSTOM CABLE, LLC.