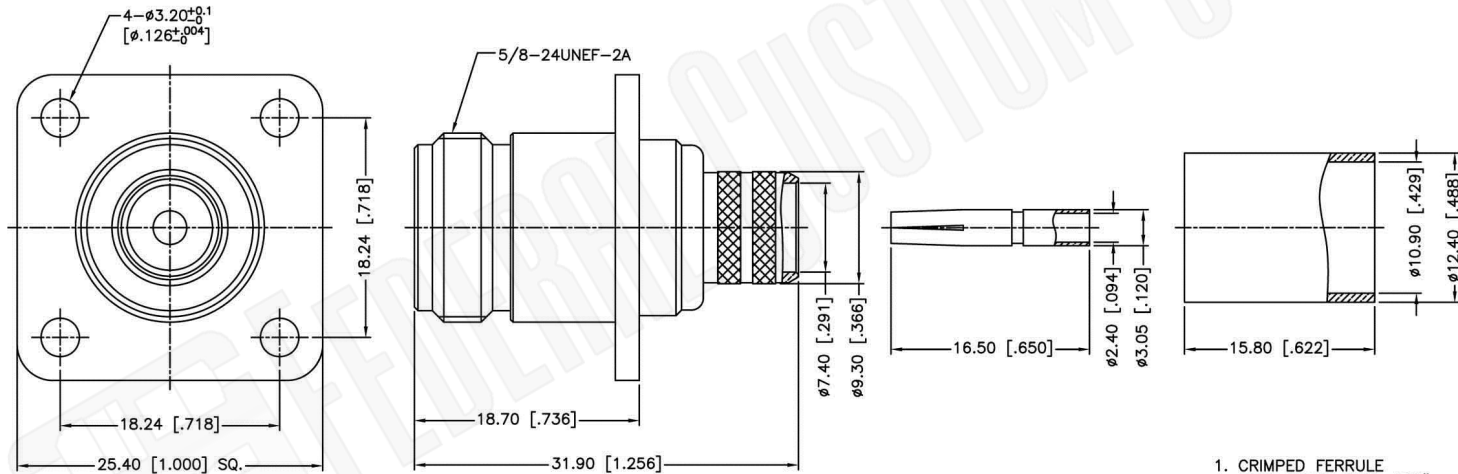


RECOMMENDED
CABLE STRIPPING DIM'S




1. CRIMPED FERRULE
HEX. CRIMP SIZE .429"
2. CRIMPED CONTACT PIN
HEX. CRIMP SIZE .100"

Material Specifications

Cable(s): RG8, 8A, 213, 393
 Body: Brass
 Finish: Nickel
 Insulation: Teflon
 Impedence: 50 Ohms



 Federal Custom Cable www.FCCable.com 1891 Alton Parkway, Irvine, CA 92606 Phone: (949) 851-3114 Fax: (949) 852-8136 Sales@FCCable.com	CAGE CODE 1UKX3	Part Number: C1330	Description: N FEMALE CONNECTOR PANEL MOUNT CRIMP FOR RG8, RG213, RG393 CABLES
	Dimensions Millimeters Inches	Scale: N/A	NOTES: 1. DIMENSIONS ARE IN MILLIMETERS INCHES 2. UNLESS OTHERWISE SPECIFIED ALL DIMENSIONS ARE NOMINAL 3. SPECIFICATIONS ARE SUBJECT TO CHANGE WITHOUT NOTICE
Revision:			