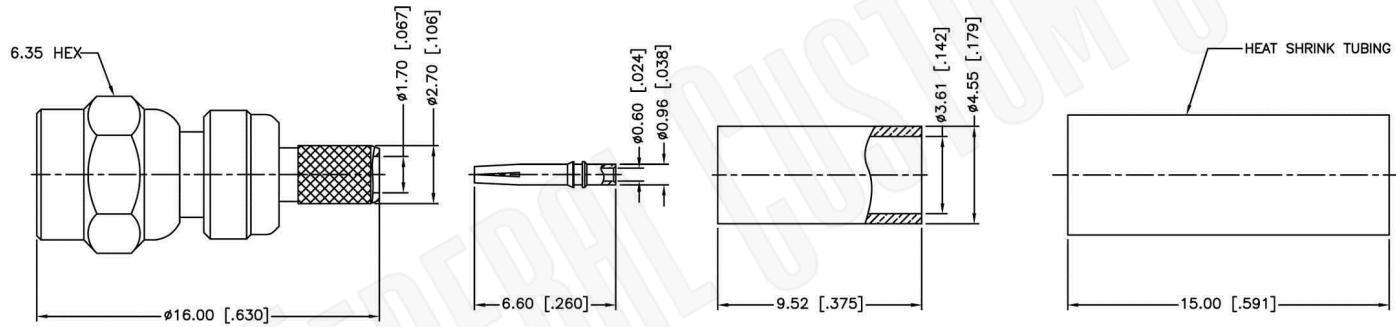


RECOMMENDED  
CABLE STRIPPING DIM'S



- NOTES:
1. CRIMPED FERRULE  
HEX CRIMP SIZE .151"
  2. CONTACT PIN TO SOLDER

### Material Specifications

Cable(s): RG316, U-DOUBLE BRAIDED  
 Body: Brass  
 Finish: Gold  
 Insulation: Teflon  
 Impedence: 50 Ohms



**Federal Custom Cable**  
[www.FCCable.com](http://www.FCCable.com)  
 1891 Alton Parkway, Irvine, CA 92606  
 Phone: (949) 851-3114 | Fax: (949) 852-8136  
[Sales@FCCable.com](mailto:Sales@FCCable.com)

<b>CAGE CODE</b> 1UKX3  <b>Dimensions</b> Millimeters   Inches  <b>Scale:</b> N/A  <b>Revision:</b>	<b>Part Number:</b>  <h1>C1383</h1>	<b>Description:</b>  <h2>SMC PLUG CONNECTOR CRIMP FOR RG188DS, RG316DS CABLES</h2>
	<p><b>NOTES:</b></p> <ol style="list-style-type: none"> <li>1. DIMENSIONS ARE IN MILLIMETERS   INCHES</li> <li>2. UNLESS OTHERWISE SPECIFIED ALL DIMENSIONS ARE NOMINAL</li> <li>3. SPECIFICATIONS ARE SUBJECT TO CHANGE WITHOUT NOTICE</li> </ol>	
<p>THIS DRAWING CONTAINS PROPRIETARY INFORMATION THAT BELONGS TO FEDERAL CUSTOM CABLE, LLC. ANY UNAUTHORIZED USE OF THIS DRAWING IS PROHIBITED WITHOUT WRITTEN PERMISSION FROM FEDERAL CUSTOM CABLE. ALL RIGHTS RESERVED. ©2016 COPYRIGHT FEDERAL CUSTOM CABLE, LLC.</p>		