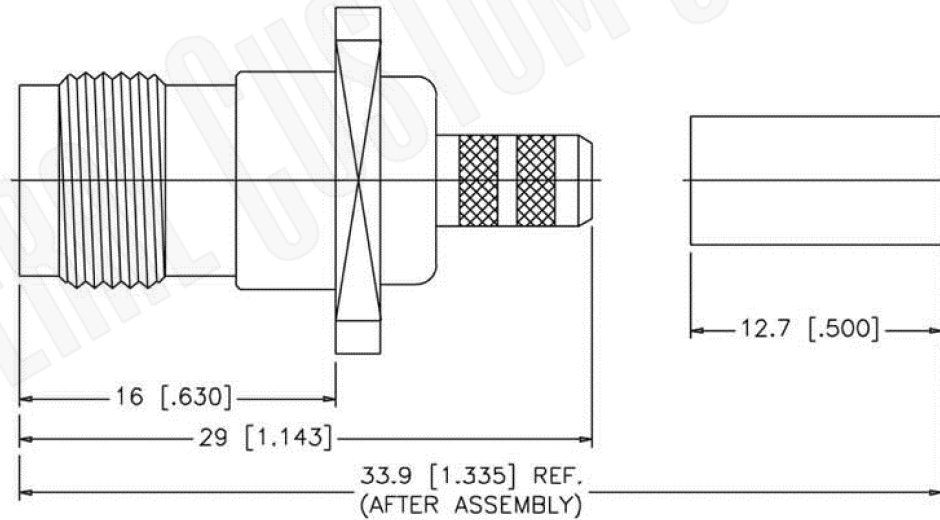


RECOMMENDED  
CABLE STRIPPING DIM'S



**Material Specifications**

Cable(s): RG59,62,140,210  
 Finish: Nickel  
 Insulation: Teflon  
 Impedance: 50 Ohms



**Federal Custom Cable**  
[www.FCCable.com](http://www.FCCable.com)  
 1891 Alton Parkway, Irvine, CA 92606  
 Phone: (949) 851-3114 | Fax: (949) 852-8136  
[Sales@FCCable.com](mailto:Sales@FCCable.com)

<b>CAGE CODE</b> 1UKX3
<b>Dimensions</b> Millimeters   Inches
<b>Scale:</b> N/A
<b>Revision:</b>

**Part Number:**  
**C1448**

**NOTES:**  
 1. DIMENSIONS ARE IN MILLIMETERS | INCHES  
 2. UNLESS OTHERWISE SPECIFIED ALL DIMENSIONS ARE NOMINAL  
 3. SPECIFICATIONS ARE SUBJECT TO CHANGE WITHOUT NOTICE

**Description:**  
**TNC FEMALE CONNECTOR PANEL MOUNT CRIMP  
 FOR RG59, RG62, RG140, RG210 CABLES**

THIS DRAWING CONTAINS PROPRIETARY INFORMATION THAT BELONGS TO FEDERAL CUSTOM CABLE, LLC. ANY UNAUTHORIZED USE OF THIS DRAWING IS PROHIBITED WITHOUT WRITTEN PERMISSION FROM FEDERAL CUSTOM CABLE.  
 ALL RIGHTS RESERVED. ©2016 COPYRIGHT FEDERAL CUSTOM CABLE, LLC.