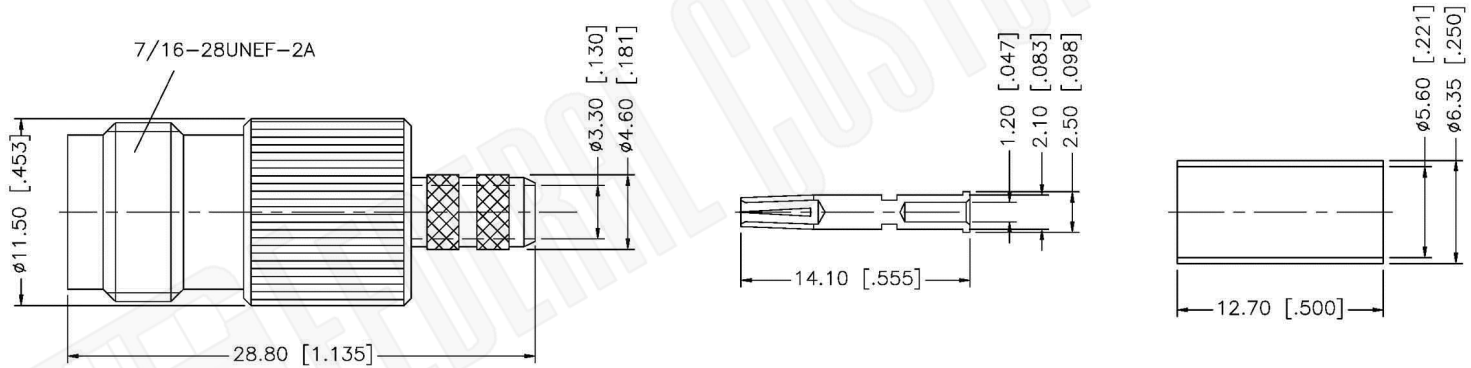


RECOMMENDED  
CABLE STRIPPING DIM'S



**Material Specifications**

Cable(s): LMR200, B7807A  
 Body: Brass  
 Finish: Nickel  
 Insulation: Teflon  
 Impedence: 50 Ohms



**Federal Custom Cable**  
[www.FCCable.com](http://www.FCCable.com)

**CAGE CODE**  
1UKX3

**Part Number:**

**Description:**

**C1473**

**TNC FEMALE CONNECTOR CRIMP FOR B7807A,  
LMR200 CABLES**

**Dimensions**  
Millimeters | Inches

**Scale:** N/A

**Revision:**

**NOTES:**  
 1. DIMENSIONS ARE IN MILLIMETERS | INCHES  
 2. UNLESS OTHERWISE SPECIFIED ALL DIMENSIONS ARE NOMINAL  
 3. SPECIFICATIONS ARE SUBJECT TO CHANGE WITHOUT NOTICE

THIS DRAWING CONTAINS PROPRIETARY INFORMATION THAT BELONGS TO FEDERAL CUSTOM CABLE, LLC. ANY UNAUTHORIZED USE OF THIS DRAWING IS PROHIBITED WITHOUT WRITTEN PERMISSION FROM FEDERAL CUSTOM CABLE. ALL RIGHTS RESERVED. ©2016 COPYRIGHT FEDERAL CUSTOM CABLE, LLC.

1891 Alton Parkway, Irvine, CA 92606  
 Phone: (949) 851-3114 | Fax: (949) 852-8136

[Sales@FCCable.com](mailto:Sales@FCCable.com)