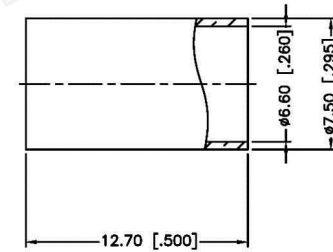
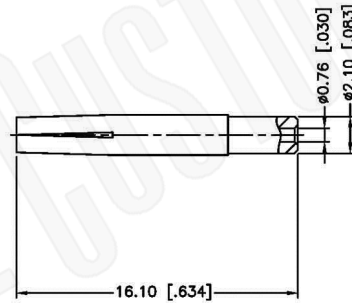
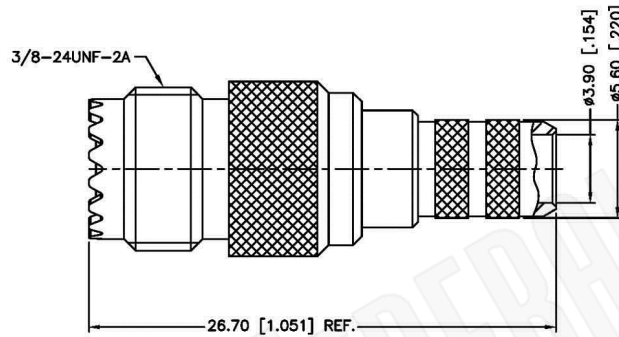


RECOMMENDED  
CABLE STRIPPING DIM'S



1. FREQUENCY RANGE: DC 0-2 GHz
2. VSWR(RETURN LOSS): 1.3 MAX.
3. DIELECTRIC WITHSTANDING VOLTAGE: 1000 VRMS, MIN.
4. DURABILITY: 500 CYCLES MIN.
5. TEMPERATURE RANGE: -65°C to +165°C
6. CRIMPED FERRULE  
HEX CRIMP SIZE .255"
7. CRIMPED CONTACT PIN  
HEX CRIMP SIZE .068"

**Material Specifications**

Cable(s): RG59,62,140,210  
 Body: Brass  
 Finish: Nickel  
 Insulation: Teflon  
 Impedence: 50 Ohms



**Federal Custom Cable**  
[www.FCCable.com](http://www.FCCable.com)

CAGE CODE  
1UKX3

Part Number:

Description:

**C1513**

**MINI-UHF FEMALE CONNECTOR CRIMP FOR RG59,  
 RG62, RG140, RG210 CABLES**

Dimensions  
Millimeters | Inches

Scale: N/A

Revision:

NOTES:  
 1. DIMENSIONS ARE IN MILLIMETERS | INCHES  
 2. UNLESS OTHERWISE SPECIFIED ALL DIMENSIONS ARE NOMINAL  
 3. SPECIFICATIONS ARE SUBJECT TO CHANGE WITHOUT NOTICE

THIS DRAWING CONTAINS PROPRIETARY INFORMATION THAT BELONGS TO FEDERAL CUSTOM CABLE, LLC. ANY UNAUTHORIZED USE OF THIS DRAWING IS PROHIBITED WITHOUT WRITTEN PERMISSION FROM FEDERAL CUSTOM CABLE. ALL RIGHTS RESERVED. ©2016 COPYRIGHT FEDERAL CUSTOM CABLE, LLC.

1891 Alton Parkway, Irvine, CA 92606  
 Phone: (949) 851-3114 | Fax: (949) 852-8136  
[Sales@FCCable.com](mailto:Sales@FCCable.com)