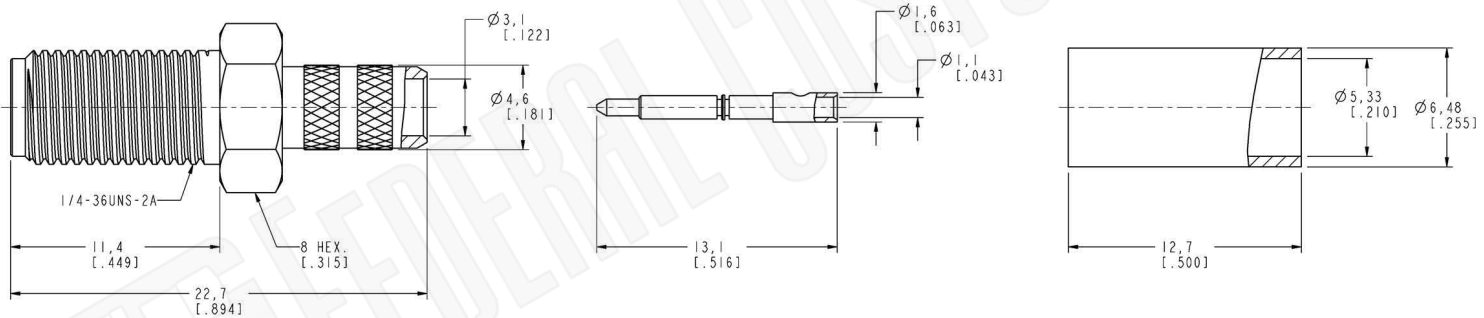


RECOMMENDED
CABLE STRIPPING DIM'S



Material Specifications

Cable(s):	RG58,58A,58C,141,303,LMR195,B7806A
Body:	Brass
Finish:	Gold
Insulation:	Teflon
Impedence:	50 Ohms



Federal Custom Cable
www.FCCable.com
1891 Alton Parkway, Irvine, CA 92606
Phone: (949) 851-3114 | Fax: (949) 852-8136
Sales@FCCable.com

CAGE CODE 1UKX3
Dimensions Millimeters Inches
Scale: N/A
Revision:

Part Number:
C3024RP

NOTES:
1. DIMENSIONS ARE IN MILLIMETERS | INCHES
2. UNLESS OTHERWISE SPECIFIED ALL DIMENSIONS ARE NOMINAL
3. SPECIFICATIONS ARE SUBJECT TO CHANGE WITHOUT NOTICE

Description:
**SMA REVERSE POLARITY FEMALE CONNECTOR
CRIMP FOR RG58, RG141, RG303, LMR195, B7806A
CABLES**

THIS DRAWING CONTAINS PROPRIETARY INFORMATION THAT BELONGS TO FEDERAL CUSTOM CABLE, LLC. ANY UNAUTHORIZED USE OF THIS DRAWING IS PROHIBITED WITHOUT WRITTEN PERMISSION FROM FEDERAL CUSTOM CABLE. ALL RIGHTS RESERVED. ©2016 COPYRIGHT FEDERAL CUSTOM CABLE, LLC.