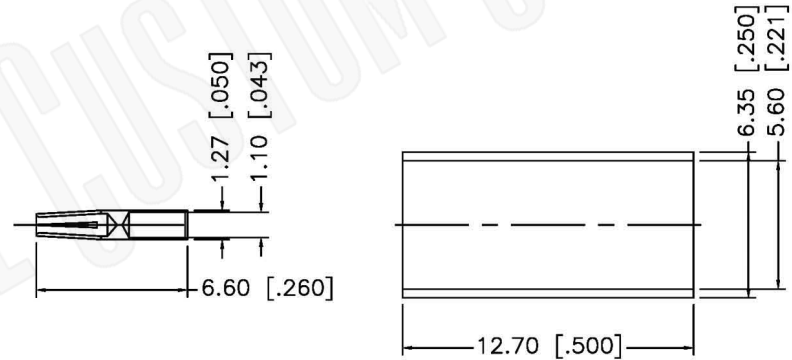
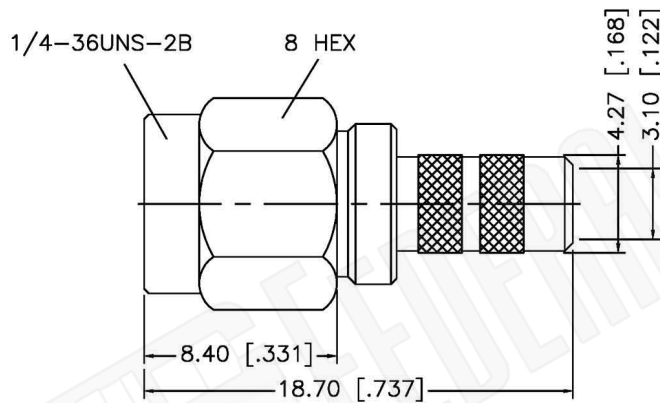


RECOMMENDED CABLE STRIPPING DIMENSIONS



CRIMP NOTES:

1. CRIMPED FERRULE  
HEX CRIMP SIZE .213"
2. SOLDER CENTER CONTACT

**Material Specifications**

Cable(s):	RG55,142,223,400
Body:	Brass
Finish:	Gold
Insulation:	Teflon
Impedence:	50 Ohms



**FCC Federal Custom Cable**  
www.FCCable.com

1891 Alton Parkway, Irvine, CA 92606  
Phone: (949) 851-3114 | Fax: (949) 852-8136

Sales@FCCable.com

CAGE CODE  
1UKX3

Dimensions  
Millimeters | Inches

Scale: N/A

Revision:

Part Number:

**C3034RP**

Description:

**SMA REVERSE POLARITY MALE CONNECTOR CRIMP  
FOR RG55, RG142, RG223, RG400 CABLES**

NOTES:  
1. DIMENSIONS ARE IN MILLIMETERS | INCHES  
2. UNLESS OTHERWISE SPECIFIED ALL DIMENSIONS ARE NOMINAL  
3. SPECIFICATIONS ARE SUBJECT TO CHANGE WITHOUT NOTICE

THIS DRAWING CONTAINS PROPRIETARY INFORMATION THAT BELONGS TO FEDERAL CUSTOM CABLE, LLC. ANY UNAUTHORIZED USE OF THIS DRAWING IS PROHIBITED WITHOUT WRITTEN PERMISSION FROM FEDERAL CUSTOM CABLE. ALL RIGHTS RESERVED. ©2016 COPYRIGHT FEDERAL CUSTOM CABLE, LLC.