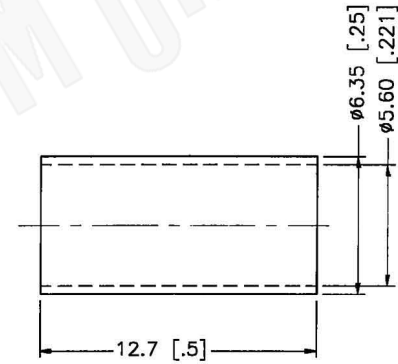
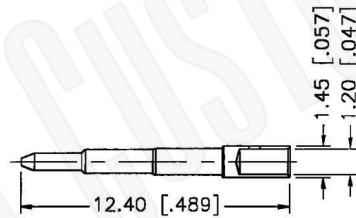
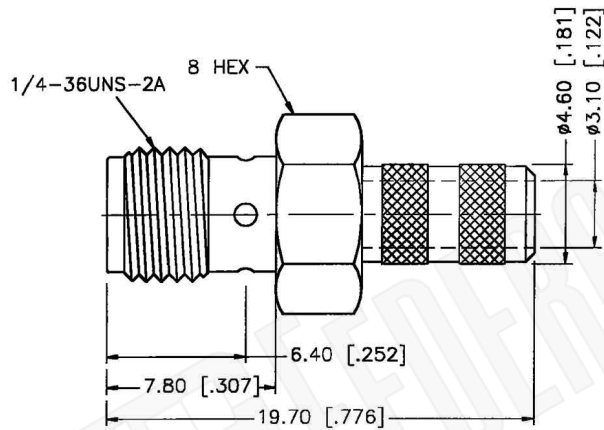


RECOMMENDED  
CABLE STRIPPING DIM'S



**Material Specifications**

Cable(s): LMR200, B7807A  
 Body: Brass  
 Finish: Gold  
 Insulation: Teflon  
 Impedence: 50 Ohms



**FCC Federal Custom Cable**  
[www.FCCable.com](http://www.FCCable.com)

CAGE CODE  
 1UKX3

Part Number:

Description:

**C3067RP**

**SMA REVERSE POLARITY FEMALE CONNECTOR  
 CRIMP FOR B7807A, LMR200 CABLES**

1891 Alton Parkway, Irvine, CA 92606  
 Phone: (949) 851-3114 | Fax: (949) 852-8136  
[Sales@FCCable.com](mailto:Sales@FCCable.com)

Dimensions  
 Millimeters | Inches

Scale: N/A

Revision:

NOTES:  
 1. DIMENSIONS ARE IN MILLIMETERS | INCHES  
 2. UNLESS OTHERWISE SPECIFIED ALL DIMENSIONS ARE NOMINAL  
 3. SPECIFICATIONS ARE SUBJECT TO CHANGE WITHOUT NOTICE

THIS DRAWING CONTAINS PROPRIETARY INFORMATION THAT BELONGS TO FEDERAL CUSTOM CABLE, LLC. ANY UNAUTHORIZED USE OF THIS DRAWING IS PROHIBITED WITHOUT WRITTEN PERMISSION FROM FEDERAL CUSTOM CABLE. ALL RIGHTS RESERVED. ©2016 COPYRIGHT FEDERAL CUSTOM CABLE, LLC.