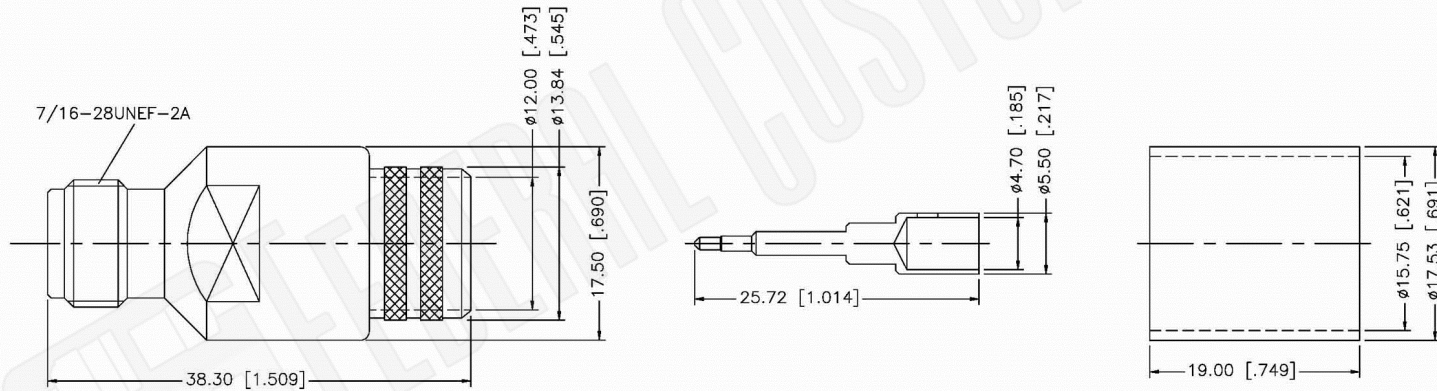


RECOMMENDED CABLE STRIPPING DIMENSIONS



**Material Specifications**

Cable(s): LMR600  
 Body: Brass  
 Finish: Nickel  
 Insulation: Teflon  
 Impedence: 50 Ohms



**FCC** Federal Custom Cable  
[www.FCCable.com](http://www.FCCable.com)  
 1891 Alton Parkway, Irvine, CA 92606  
 Phone: (949) 851-3114 | Fax: (949) 852-8136  
[Sales@FCCable.com](mailto:Sales@FCCable.com)

<p><b>CAGE CODE</b> 1UKX3</p> <p><b>Dimensions</b> Millimeters   Inches</p> <p><b>Scale:</b> N/A</p> <p><b>Revision:</b></p>	<p><b>Part Number:</b></p> <p><b>C3827RP</b></p>	<p><b>Description:</b></p> <p><b>TNC REVERSE POLARITY FEMALE CONNECTOR CRIMP FOR LMR600 CABLES</b></p>
	<p><b>NOTES:</b>                  1. DIMENSIONS ARE IN MILLIMETERS   INCHES                  2. UNLESS OTHERWISE SPECIFIED ALL DIMENSIONS ARE NOMINAL                  3. SPECIFICATIONS ARE SUBJECT TO CHANGE WITHOUT NOTICE</p>	<p>THIS DRAWING CONTAINS PROPRIETARY INFORMATION THAT BELONGS TO FEDERAL CUSTOM CABLE, LLC. ANY UNAUTHORIZED USE OF THIS DRAWING IS PROHIBITED WITHOUT WRITTEN PERMISSION FROM FEDERAL CUSTOM CABLE. ALL RIGHTS RESERVED. ©2016 COPYRIGHT FEDERAL CUSTOM CABLE, LLC.</p>