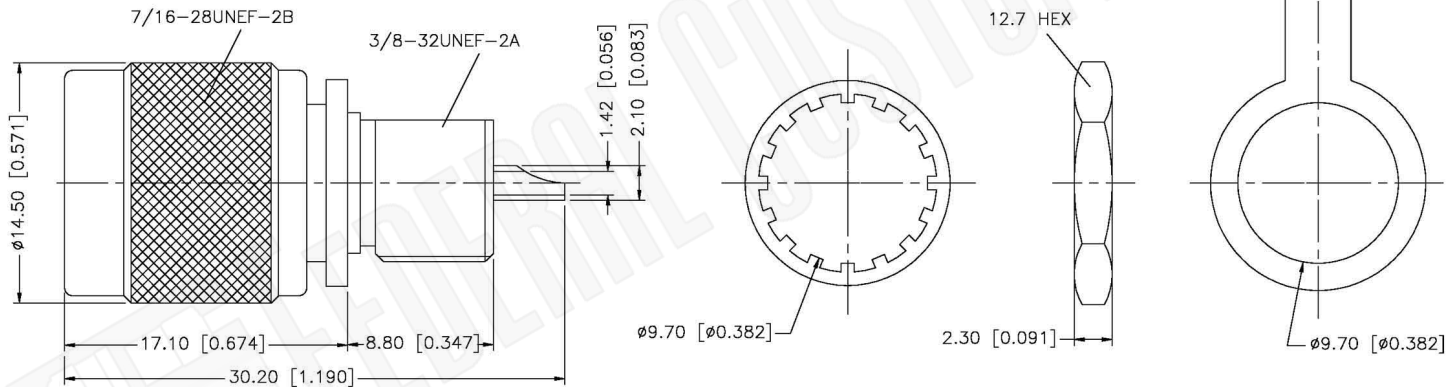


RECOMMENDED MOUNTING HOLE



**Material Specifications**

Cable(s):	N/A
Body:	Brass
Finish:	Nickel
Insulation:	Teflon
Impedence:	50 Ohms



**FCC Federal Custom Cable**  
www.FCCable.com

**CAGE CODE**  
1UKX3

**Part Number:**

**Description:**

**C5108**

**TNC MALE CONNECTOR BULKHEAD RECEPTACLE**

**Dimensions**  
Millimeters | Inches

**Scale:** N/A

**Revision:**

**NOTES:**  
1. DIMENSIONS ARE IN MILLIMETERS | INCHES  
2. UNLESS OTHERWISE SPECIFIED ALL DIMENSIONS ARE NOMINAL  
3. SPECIFICATIONS ARE SUBJECT TO CHANGE WITHOUT NOTICE

THIS DRAWING CONTAINS PROPRIETARY INFORMATION THAT BELONGS TO FEDERAL CUSTOM CABLE, LLC. ANY UNAUTHORIZED USE OF THIS DRAWING IS PROHIBITED WITHOUT WRITTEN PERMISSION FROM FEDERAL CUSTOM CABLE. ALL RIGHTS RESERVED. ©2016 COPYRIGHT FEDERAL CUSTOM CABLE, LLC.

1891 Alton Parkway, Irvine, CA 92606  
Phone: (949) 851-3114 | Fax: (949) 852-8136

**Sales@FCCable.com**