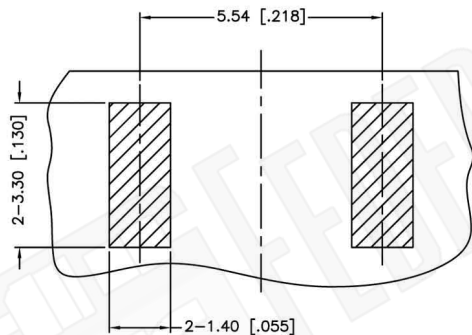
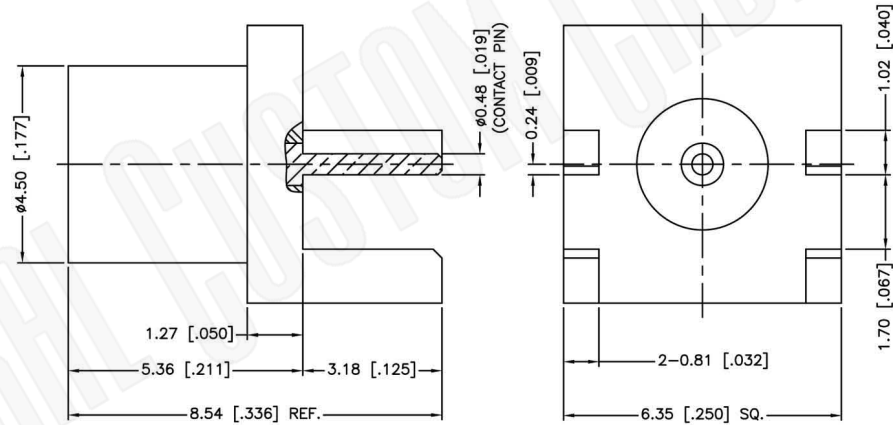


TOP VIEW



BOTTOM VIEW



**Material Specifications**

Cable(s):	N/A
Body:	Brass
Finish:	Gold
Insulation:	Teflon
Impedence:	50 Ohms



**Federal Custom Cable**  
www.FCCable.com

CAGE CODE  
1UKX3

Part Number:  
**C5601**

Description:  
**MCX JACK FEMALE CONNECTOR END LAUNCH-0.62 INCHES THICK BOARD 0.019 INCHES ROUND**

1891 Alton Parkway, Irvine, CA 92606  
Phone: (949) 851-3114 | Fax: (949) 852-8136  
Sales@FCCable.com

Dimensions  
Millimeters | Inches

Scale: N/A

Revision:

NOTES:  
1. DIMENSIONS ARE IN MILLIMETERS | INCHES  
2. UNLESS OTHERWISE SPECIFIED ALL DIMENSIONS ARE NOMINAL  
3. SPECIFICATIONS ARE SUBJECT TO CHANGE WITHOUT NOTICE

**CONTACT**

THIS DRAWING CONTAINS PROPRIETARY INFORMATION THAT BELONGS TO FEDERAL CUSTOM CABLE, LLC. ANY UNAUTHORIZED USE OF THIS DRAWING IS PROHIBITED WITHOUT WRITTEN PERMISSION FROM FEDERAL CUSTOM CABLE. ALL RIGHTS RESERVED. ©2016 COPYRIGHT FEDERAL CUSTOM CABLE, LLC.