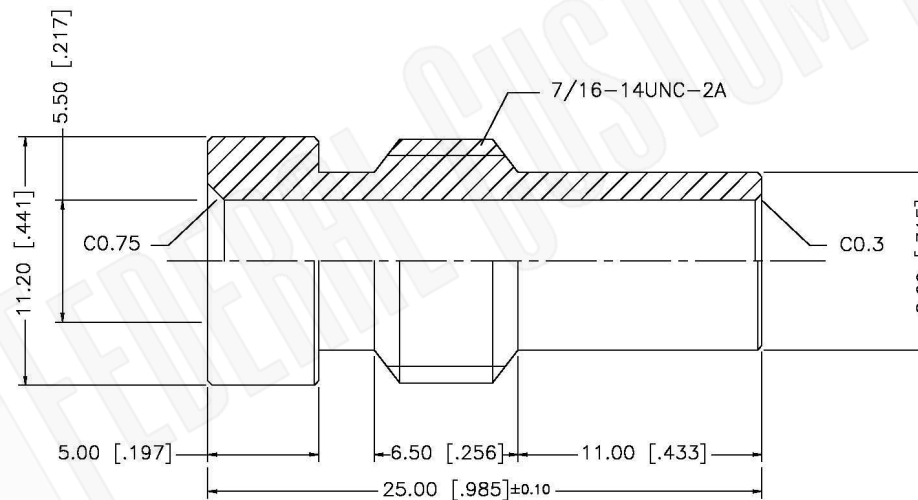


RECOMMENDED CABLE STRIPPING DIMS.



**Material Specifications**

|             |               |
|-------------|---------------|
| Cable(s):   | N/A           |
| Body:       | Zinc Die Cast |
| Finish:     | Nickel        |
| Insulation: | N/A           |
| Impedence:  | N/A           |



**Federal Custom Cable**  
[www.FCCable.com](http://www.FCCable.com)  
 1891 Alton Parkway, Irvine, CA 92606  
 Phone: (949) 851-3114 | Fax: (949) 852-8136  
[Sales@FCCable.com](mailto:Sales@FCCable.com)

|   |
|---|
| <b>CAGE CODE</b><br>1UKX3                 |
| <b>Dimensions</b><br>Millimeters   Inches |
| <b>Scale:</b> N/A                         |
| <b>Revision:</b>                          |

**Part Number:**  
  
**C5703**

**NOTES:**  
 1. DIMENSIONS ARE IN MILLIMETERS | INCHES  
 2. UNLESS OTHERWISE SPECIFIED ALL DIMENSIONS ARE NOMINAL  
 3. SPECIFICATIONS ARE SUBJECT TO CHANGE WITHOUT NOTICE

**Description:**  
**REDUCER FOR C2637 RG58 UHF MALE CONNECTOR**  
**SOLDER PLUG CONNECTOR PL-259 TYPE FOR RG58**

**CABLES**

THIS DRAWING CONTAINS PROPRIETARY INFORMATION THAT BELONGS TO FEDERAL CUSTOM CABLE, LLC. ANY UNAUTHORIZED USE OF THIS DRAWING IS PROHIBITED WITHOUT WRITTEN PERMISSION FROM FEDERAL CUSTOM CABLE. ALL RIGHTS RESERVED. ©2016 COPYRIGHT FEDERAL CUSTOM CABLE, LLC.