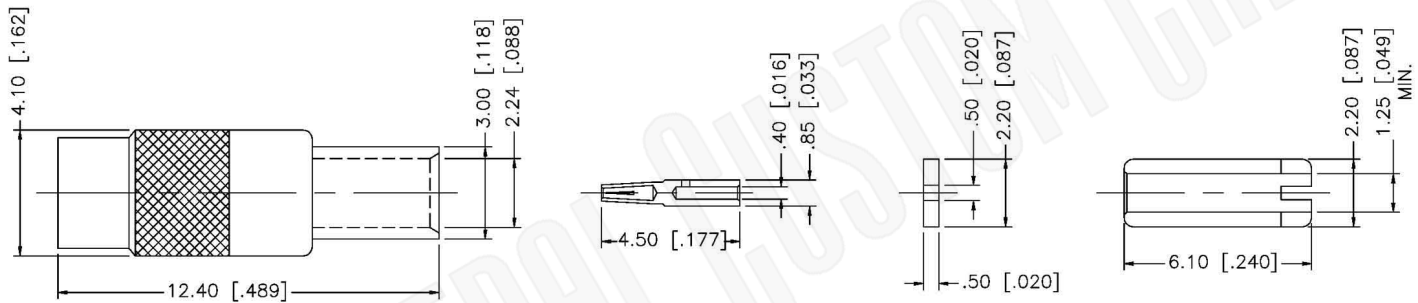


RECOMMENDED CABLE STRIPPING DIM'S.



NOTE:

1. CONTACT PIN TO SOLDER

Material Specifications

Cable(s): .047 SEMI-RIGID, B1674A
 Body: Brass
 Finish: Gold
 Insulation: Teflon
 Impedence: 50 Ohms



FCC Federal Custom Cable
 www.FCCable.com
 1891 Alton Parkway, Irvine, CA 92606
 Phone: (949) 851-3114 | Fax: (949) 852-8136
 Sales@FCCable.com

CAGE CODE 1UKX3	Part Number: C5753	Description: MMCX JACK CONNECTOR CRIMP FOR RG047, RG047AL, RG047FL CABLES
Scale: N/A	NOTES: 1. DIMENSIONS ARE IN MILLIMETERS INCHES 2. UNLESS OTHERWISE SPECIFIED ALL DIMENSIONS ARE NOMINAL 3. SPECIFICATIONS ARE SUBJECT TO CHANGE WITHOUT NOTICE	THIS DRAWING CONTAINS PROPRIETARY INFORMATION THAT BELONGS TO FEDERAL CUSTOM CABLE, LLC. ANY UNAUTHORIZED USE OF THIS DRAWING IS PROHIBITED WITHOUT WRITTEN PERMISSION FROM FEDERAL CUSTOM CABLE. ALL RIGHTS RESERVED. ©2016 COPYRIGHT FEDERAL CUSTOM CABLE, LLC.
Revision:		