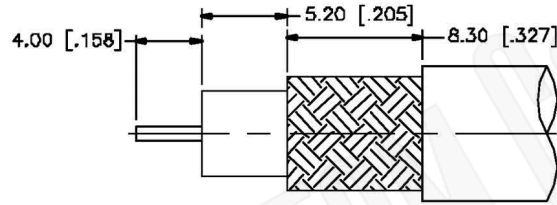
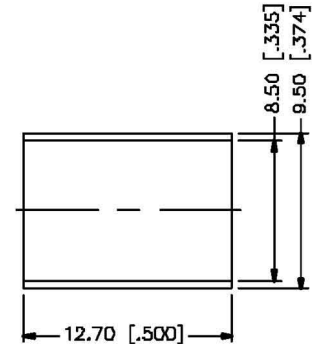
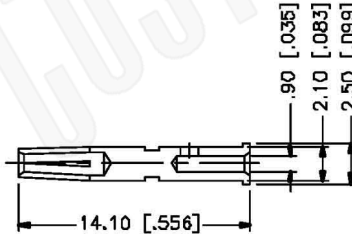
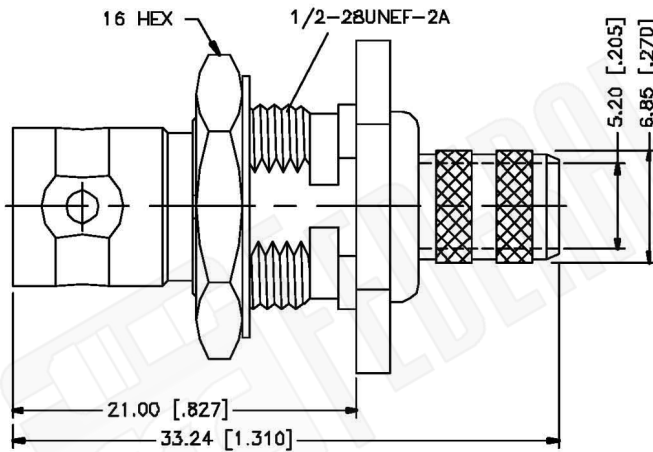


RECOMMENDED MOUNTING HOLE



RECOMMENDED CABLE STRIPPING DIM'S



**Material Specifications**

Cable(s): B8281, B9231, B9141  
 Body: Brass  
 Finish: Nickel  
 Insulation: Teflon  
 Impedence: 75 Ohms



**Federal Custom Cable**  
[www.FCCable.com](http://www.FCCable.com)

CAGE CODE  
 1UKX3

Part Number:

Description:

**C7004**

**BNC FEMALE CONNECTOR BULKHEAD CRIMP MNTG  
 FIG. D-12 FOR B8281, B9231, B9141 CABLES**

1891 Alton Parkway, Irvine, CA 92606  
 Phone: (949) 851-3114 | Fax: (949) 852-8136  
[Sales@FCCable.com](mailto:Sales@FCCable.com)

Dimensions  
 Millimeters | Inches

Scale: N/A

Revision:

NOTES:  
 1. DIMENSIONS ARE IN MILLIMETERS | INCHES  
 2. UNLESS OTHERWISE SPECIFIED ALL DIMENSIONS ARE NOMINAL  
 3. SPECIFICATIONS ARE SUBJECT TO CHANGE WITHOUT NOTICE

THIS DRAWING CONTAINS PROPRIETARY INFORMATION THAT BELONGS TO FEDERAL CUSTOM CABLE, LLC. ANY UNAUTHORIZED USE OF THIS DRAWING IS PROHIBITED WITHOUT WRITTEN PERMISSION FROM FEDERAL CUSTOM CABLE. ALL RIGHTS RESERVED. ©2016 COPYRIGHT FEDERAL CUSTOM CABLE, LLC.