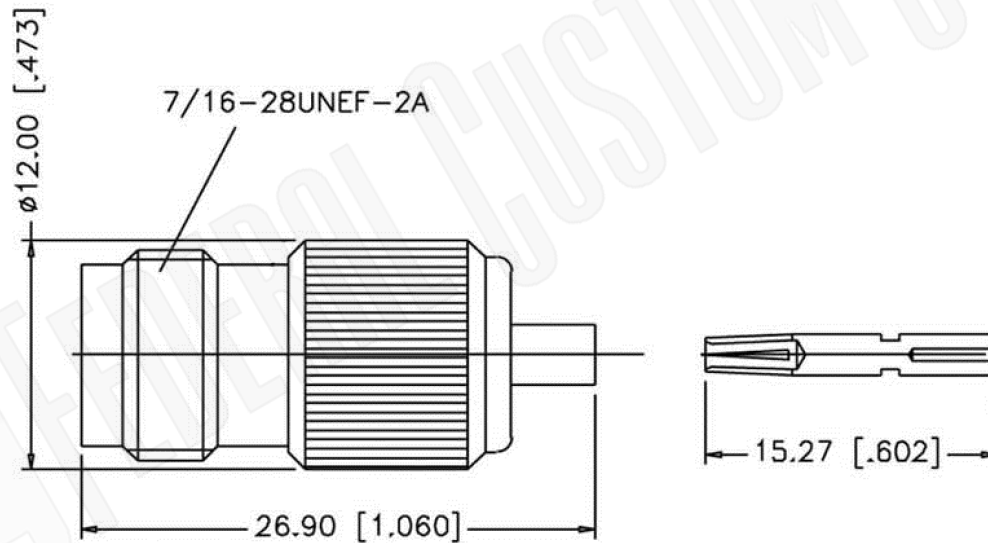


RECOMMENDED
CABLE STRIPPING DIM'S



Material Specifications

Cable(s): .085 SEMI-RIGID, 405/U
 Finish: Nickel/Gold
 Insulation: Teflon
 Impedance: 50 Ohms



Federal Custom Cable
www.FCCable.com
 1891 Alton Parkway, Irvine, CA 92606
 Phone: (949) 851-3114 | Fax: (949) 852-8136
Sales@FCCable.com

CAGE CODE 1UKX3 Dimensions Millimeters Inches Scale: N/A Revision:	Part Number: <h1>C7604</h1>	Description: BNC FEMALE CONNECTOR 75 OHM BULKHEAD MALE CONNECTOR SOLDER CUP CONTACT
	NOTES: 1. DIMENSIONS ARE IN MILLIMETERS INCHES 2. UNLESS OTHERWISE SPECIFIED ALL DIMENSIONS ARE NOMINAL 3. SPECIFICATIONS ARE SUBJECT TO CHANGE WITHOUT NOTICE	
THIS DRAWING CONTAINS PROPRIETARY INFORMATION THAT BELONGS TO FEDERAL CUSTOM CABLE, LLC. ANY UNAUTHORIZED USE OF THIS DRAWING IS PROHIBITED WITHOUT WRITTEN PERMISSION FROM FEDERAL CUSTOM CABLE. ALL RIGHTS RESERVED. ©2016 COPYRIGHT FEDERAL CUSTOM CABLE, LLC.		