

**Material Specifications**

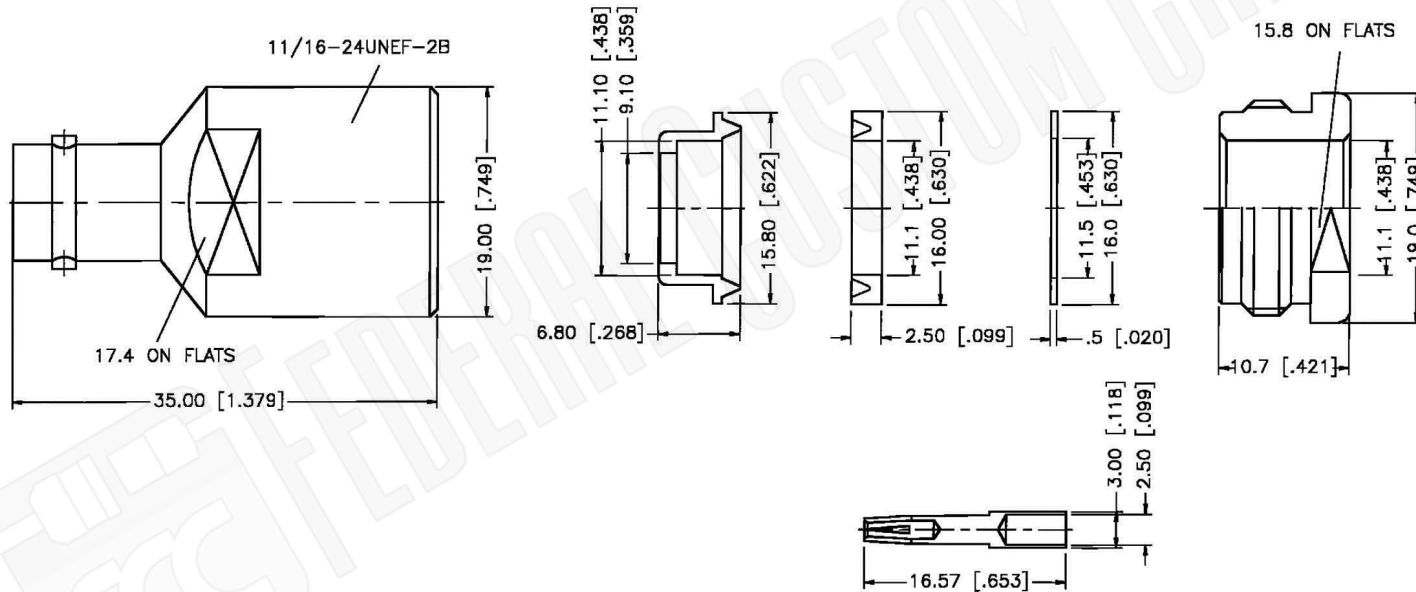
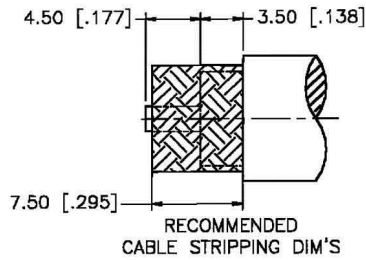
Left Connector: C2005  
 Right Connector: C2005  
 Cable: RG214

**NOTES:**

1. XX EQUALS LENGTH IN INCHES

**FCC** Federal Custom Cable  
 www.FCCable.com  
 1891 Alton Parkway, Irvine, CA 92606  
 Phone: (949) 851-3114 | Fax: (949) 852-8136  
 Sales@FCCable.com

<b>CAGE CODE</b> 1UKX3	<b>Part Number:</b> CA1006-XX	<b>Description:</b> BNC FEMALE TO BNC FEMALE COAX CABLE ASSEMBLY WITH RG214 FLEXIBLE CABLE
<b>Scale:</b> N/A	<b>NOTES:</b> 1. DIMENSIONS ARE IN MILLIMETERS   INCHES 2. UNLESS OTHERWISE SPECIFIED ALL DIMENSIONS ARE NOMINAL 3. SPECIFICATIONS ARE SUBJECT TO CHANGE WITHOUT NOTICE	THIS DRAWING CONTAINS PROPRIETARY INFORMATION THAT BELONGS TO FEDERAL CUSTOM CABLE, LLC. ANY UNAUTHORIZED USE OF THIS DRAWING IS PROHIBITED WITHOUT WRITTEN PERMISSION FROM FEDERAL CUSTOM CABLE. ALL RIGHTS RESERVED. ©2020 COPYRIGHT FEDERAL CUSTOM CABLE, LLC.
<b>Revision:</b>		



### Material Specifications

Cable(s): RG8, 8A, 213, 393  
 Body: Brass  
 Finish: Nickel  
 Insulation: Teflon  
 Impedence: 50 Ohms



**Federal Custom Cable**  
[www.FCCable.com](http://www.FCCable.com)

**CAGE CODE**  
 1UKX3

**Part Number:**

**Description:**

**C2005**

**BNC FEMALE CONNECTOR CLAMP FOR RG8, RG9,  
 RG11, RG213, RG214, RG225, RG393 CABLES**

1891 Alton Parkway, Irvine, CA 92606  
 Phone: (949) 851-3114 | Fax: (949) 852-8136  
[Sales@FCCable.com](mailto:Sales@FCCable.com)

**Dimensions**  
 Millimeters | Inches

**Scale:** N/A

**Revision:**

**NOTES:**  
 1. DIMENSIONS ARE IN MILLIMETERS | INCHES  
 2. UNLESS OTHERWISE SPECIFIED ALL DIMENSIONS ARE NOMINAL  
 3. SPECIFICATIONS ARE SUBJECT TO CHANGE WITHOUT NOTICE

THIS DRAWING CONTAINS PROPRIETARY INFORMATION THAT BELONGS TO FEDERAL CUSTOM CABLE, LLC. ANY UNAUTHORIZED USE OF THIS DRAWING IS PROHIBITED WITHOUT WRITTEN PERMISSION FROM FEDERAL CUSTOM CABLE. ALL RIGHTS RESERVED. ©2016 COPYRIGHT FEDERAL CUSTOM CABLE, LLC.

# RG214/U

## 50-Ohm Flexible Coax Cable; 0.425" Diameter, Double Shield, Black PVC Jacket



PART NUMBER:	<b>RG214/U</b>
CATAGORY:	FLEXIBLE
DESCRIPTION:	CABLE
IMPEDANCE:	50 OHMS
DIELECTRIC:	POLYETHYLENE
OUTSIDE DIAMETER:	0.285
NOMINAL OUTSIDE DIAMETER:	0.425

### PHYSICAL CHARACTERISTICS:

QUALIFICATION:	M17/74-RG214 SWEPT ATTN/STRUCTURAL RETURN LOSS (50 MHz TO 11 GHz)
INNER CONDUCTOR:	DIAMETER 0.0888; 7/0.0296 SILVER PLATE COPPER, 13 AWG, 1.73 OHM/1000FT. NOMINAL DIRECT CURRENT RESISTANCE
OUTER CONDUCTOR:	1ST 96% SILVER PLATE COPPER, 2ND 98% SILVER PLATE COPPER, 0.70 OHM/1000FT. NOMINAL DIRECT CURRENT RESISTANCE
JACKET MATERIAL	POLYVINYL CHLORIDE-II A, BLACK

### ELECTRICAL CHARACTERISTICS:

OVER BRAID & OUTSIDE DIAMETER:	N/A
NOMINAL CAPACITANCE (PICO FARAD/FT):	30.8
VELOCITY OF PROPAGATION:	66%
MAXIMUM OPERATING FREQUENCY (GHz):	11.0
MAXIMUM OPERATING RANGE (C):	-40 TO +85
MAXIMUM ATTENUATION:	dB (MHz/100FT)
A. 50 MHz:	1.7
B. 100 MHz:	2.2
C. 200 MHz:	3.2
D. 400 MHz:	6.8
E. 1000 MHz:	8.0
A. 11000 MHz:	60.0
QUALIFICATION TEST REPORT#:	17-396-90
APPROX WT/1000FT:	130 LBS.