


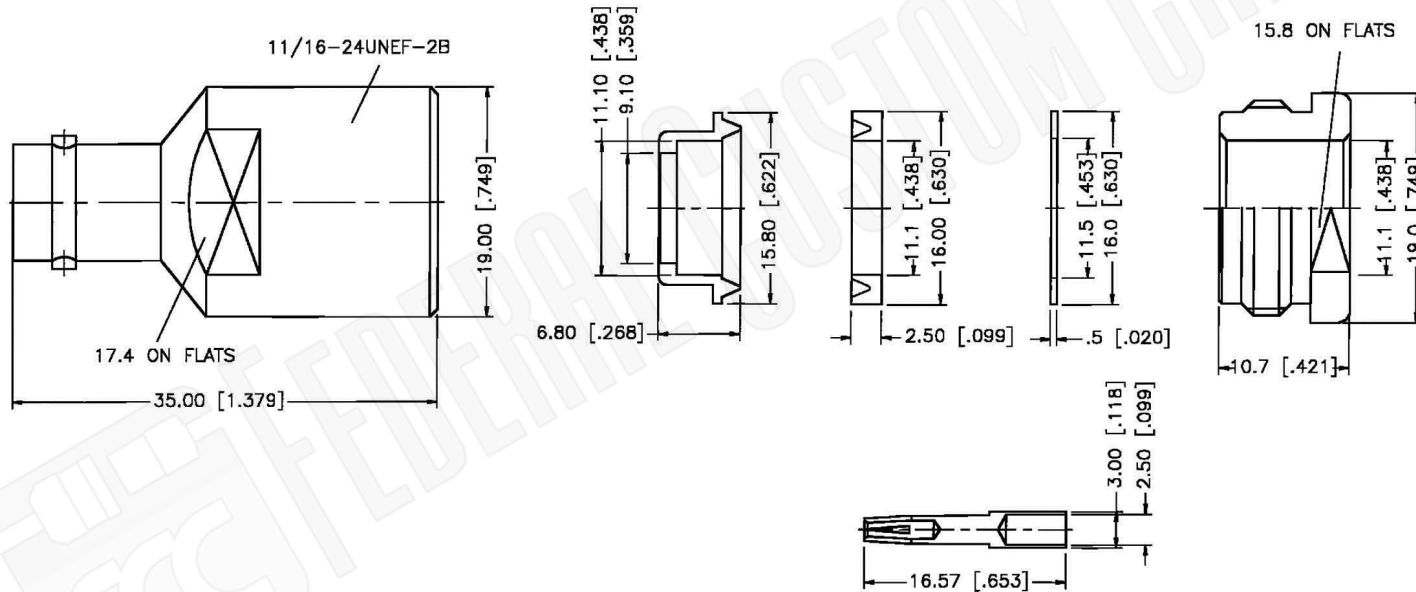
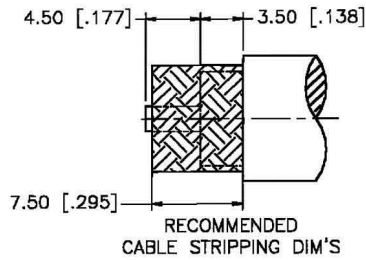
Material Specifications

Left Connector: C2005
 Right Connector: C2005
 Cable: RG214

NOTES:

1. XX EQUALS LENGTH IN INCHES
2. LF DESIGNATES LEAD FREE SOLDER

 Federal Custom Cable www.FCCable.com 1891 Alton Parkway, Irvine, CA 92606 Phone: (949) 851-3114 Fax: (949) 852-8136 Sales@FCCable.com	CAGE CODE 1UKX3	Part Number: CA1006LF-XX	Description: BNC FEMALE TO BNC FEMALE COAX CABLE ASSEMBLY WITH RG214 FLEXIBLE CABLE ROHS LEAD FREE
	Dimensions Millimeters Inches		
	Scale: N/A	NOTES: 1. DIMENSIONS ARE IN MILLIMETERS INCHES 2. UNLESS OTHERWISE SPECIFIED ALL DIMENSIONS ARE NOMINAL 3. SPECIFICATIONS ARE SUBJECT TO CHANGE WITHOUT NOTICE	THIS DRAWING CONTAINS PROPRIETART INFORMATION THAT BELONGS TO FEDERAL CUSTOM CABLE, LLC. ANY UNAUTHORIZED USE OF THIS DRAWING IS PROHIBITED WITHOUT WRITTEN PERMISSION FROM FEDERAL CUSTOM CABLE. ALL RIGHTS RESERVED. ©2020 COPYRIGHT FEDERAL CUSTOM CABLE, LLC.
	Revision:		



Material Specifications

Cable(s): RG8, 8A, 213, 393
 Body: Brass
 Finish: Nickel
 Insulation: Teflon
 Impedence: 50 Ohms



Federal Custom Cable
www.FCCable.com

CAGE CODE
1UKX3

Part Number:

Description:

C2005

**BNC FEMALE CONNECTOR CLAMP FOR RG8, RG9,
 RG11, RG213, RG214, RG225, RG393 CABLES**

1891 Alton Parkway, Irvine, CA 92606
 Phone: (949) 851-3114 | Fax: (949) 852-8136
Sales@FCCable.com

Dimensions
 Millimeters | Inches

Scale: N/A

Revision:

NOTES:
 1. DIMENSIONS ARE IN MILLIMETERS | INCHES
 2. UNLESS OTHERWISE SPECIFIED ALL DIMENSIONS ARE NOMINAL
 3. SPECIFICATIONS ARE SUBJECT TO CHANGE WITHOUT NOTICE

THIS DRAWING CONTAINS PROPRIETARY INFORMATION THAT BELONGS TO FEDERAL CUSTOM CABLE, LLC. ANY UNAUTHORIZED USE OF THIS DRAWING IS PROHIBITED WITHOUT WRITTEN PERMISSION FROM FEDERAL CUSTOM CABLE. ALL RIGHTS RESERVED. ©2016 COPYRIGHT FEDERAL CUSTOM CABLE, LLC.

RG214/U

50-Ohm Flexible Coax Cable; 0.425" Diameter, Double Shield, Black PVC Jacket



PART NUMBER:	RG214/U
CATAGORY:	FLEXIBLE
DESCRIPTION:	CABLE
IMPEDANCE:	50 OHMS
DIELECTRIC:	POLYETHYLENE
OUTSIDE DIAMETER:	0.285
NOMINAL OUTSIDE DIAMETER:	0.425

PHYSICAL CHARACTERISTICS:

QUALIFICATION:	M17/74-RG214 SWEPT ATTN/STRUCTURAL RETURN LOSS (50 MHz TO 11 GHz)
INNER CONDUCTOR:	DIAMETER 0.0888; 7/0.0296 SILVER PLATE COPPER, 13 AWG, 1.73 OHM/1000FT. NOMINAL DIRECT CURRENT RESISTANCE
OUTER CONDUCTOR:	1ST 96% SILVER PLATE COPPER, 2ND 98% SILVER PLATE COPPER, 0.70 OHM/1000FT. NOMINAL DIRECT CURRENT RESISTANCE
JACKET MATERIAL	POLYVINYL CHLORIDE-II A, BLACK

ELECTRICAL CHARACTERISTICS:

OVER BRAID & OUTSIDE DIAMETER:	N/A
NOMINAL CAPACITANCE (PICO FARAD/FT):	30.8
VELOCITY OF PROPAGATION:	66%
MAXIMUM OPERATING FREQUENCY (GHz):	11.0
MAXIMUM OPERATING RANGE (C):	-40 TO +85
MAXIMUM ATTENUATION:	dB (MHz/100FT)
A. 50 MHz:	1.7
B. 100 MHz:	2.2
C. 200 MHz:	3.2
D. 400 MHz:	6.8
E. 1000 MHz:	8.0
A. 11000 MHz:	60.0
QUALIFICATION TEST REPORT#:	17-396-90
APPROX WT/1000FT:	130 LBS.