


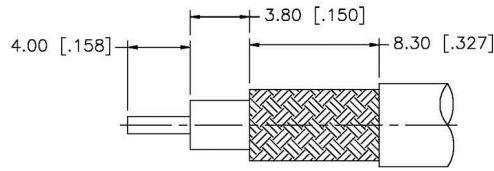
**Material Specifications**

Left Connector: C1020  
 Right Connector: C1005  
 Cable: RG62

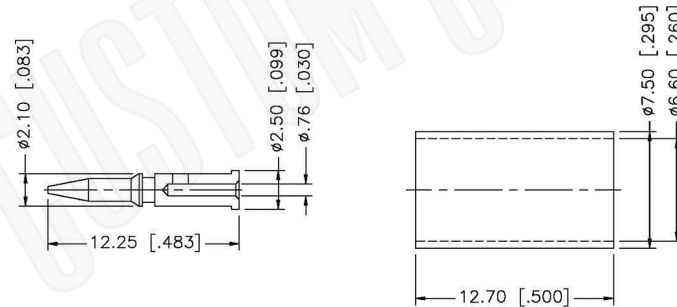
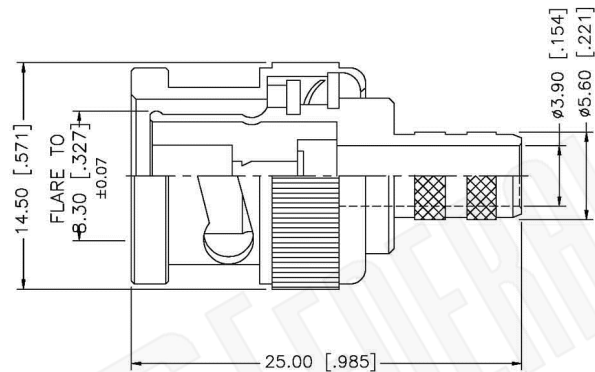
**NOTES:**

1. XX EQUALS LENGTH IN INCHES

 <b>Federal Custom Cable</b> www.FCCable.com  1891 Alton Parkway, Irvine, CA 92606 Phone: (949) 851-3114   Fax: (949) 852-8136 Sales@FCCable.com	<b>CAGE CODE</b> 1UKX3	<b>Part Number:</b> CA1021-XX	<b>Description:</b> BNC MALE TO BNC FEMALE COAX CABLE ASSEMBLY WITH RG62 FLEXIBLE CABLE
	<b>Dimensions</b> Millimeters   Inches		
	<b>Scale:</b> N/A	<b>NOTES:</b> 1. DIMENSIONS ARE IN MILLIMETERS   INCHES 2. UNLESS OTHERWISE SPECIFIED ALL DIMENSIONS ARE NOMINAL 3. SPECIFICATIONS ARE SUBJECT TO CHANGE WITHOUT NOTICE	THIS DRAWING CONTAINS PROPRIETART INFORMATION THAT BELONGS TO FEDERAL CUSTOM CABLE, LLC. ANY UNAUTHORIZED USE OF THIS DRAWING IS PROHIBITED WITHOUT WRITTEN PERMISSION FROM FEDERAL CUSTOM CABLE. ALL RIGHTS RESERVED. ©2020 COPYRIGHT FEDERAL CUSTOM CABLE, LLC.
	<b>Revision:</b>		



RECOMMENDED  
CABLE STRIPPING DIMS.



NOTE:

1. CRIMPED FERRULE  
HEX. CRIMP SIZE .255"
2. CRIMPED CONTACT PIN  
HEX CRIMP SIZE .068"

**Material Specifications**

Cable(s): RG59,62,140,210  
 Body: Brass  
 Finish: Nickel  
 Insulation: Delrin  
 Impedence: 50 Ohms



**Federal Custom Cable**  
www.FCCable.com

CAGE CODE  
1UKX3

Part Number:

Description:

**C1020**

**BNC MALE CONNECTOR CRIMP FOR RG59, RG62,  
RG140, RG210 CABLES**

1891 Alton Parkway, Irvine, CA 92606  
 Phone: (949) 851-3114 | Fax: (949) 852-8136  
**Sales@FCCable.com**

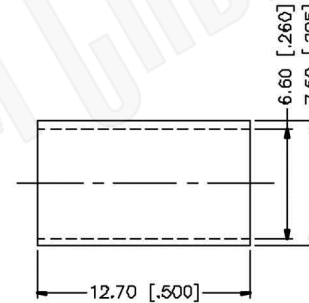
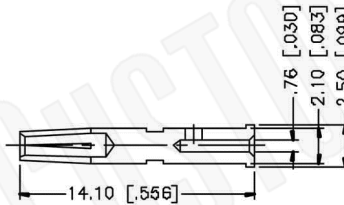
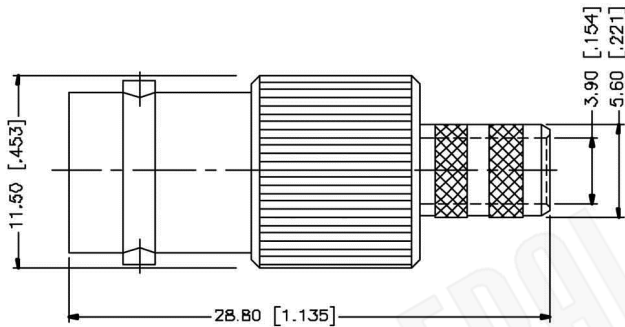
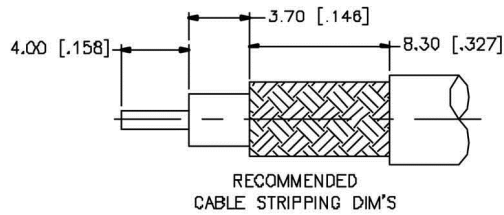
Dimensions  
Millimeters | Inches

Scale: N/A

Revision:

NOTES:  
 1. DIMENSIONS ARE IN MILLIMETERS | INCHES  
 2. UNLESS OTHERWISE SPECIFIED ALL DIMENSIONS ARE NOMINAL  
 3. SPECIFICATIONS ARE SUBJECT TO CHANGE WITHOUT NOTICE

THIS DRAWING CONTAINS PROPRIETARY INFORMATION THAT BELONGS TO FEDERAL CUSTOM CABLE, LLC. ANY UNAUTHORIZED USE OF THIS DRAWING IS PROHIBITED WITHOUT WRITTEN PERMISSION FROM FEDERAL CUSTOM CABLE. ALL RIGHTS RESERVED. ©2016 COPYRIGHT FEDERAL CUSTOM CABLE, LLC.



NOTE:

1. CRIMPED FERRULE  
HEX CRIMP SIZE .213"
2. CRIMPED CONTACT PIN  
HEX CRIMP SIZE .068"

**Material Specifications**

Cable(s): RG59,62,140,210  
 Body: Brass  
 Finish: Nickel  
 Insulation: Delrin  
 Impedence: 50 Ohms



**Federal Custom Cable**  
[www.FCCable.com](http://www.FCCable.com)

**CAGE CODE**  
1UKX3

**Part Number:**

**Description:**

**C1005**

**BNC FEMALE CONNECTOR CRIMP FOR RG59, RG62,  
 RG140, RG210 CABLES**

**Dimensions**  
Millimeters | Inches

**Scale:** N/A

**Revision:**

**NOTES:**  
 1. DIMENSIONS ARE IN MILLIMETERS | INCHES  
 2. UNLESS OTHERWISE SPECIFIED ALL DIMENSIONS ARE NOMINAL  
 3. SPECIFICATIONS ARE SUBJECT TO CHANGE WITHOUT NOTICE

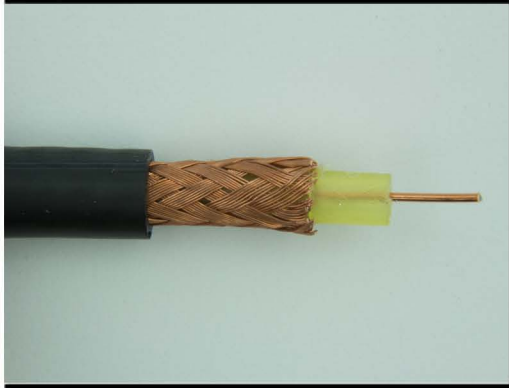
THIS DRAWING CONTAINS PROPRIETARY INFORMATION THAT BELONGS TO FEDERAL CUSTOM CABLE, LLC. ANY UNAUTHORIZED USE OF THIS DRAWING IS PROHIBITED WITHOUT WRITTEN PERMISSION FROM FEDERAL CUSTOM CABLE. ALL RIGHTS RESERVED. ©2016 COPYRIGHT FEDERAL CUSTOM CABLE, LLC.

1891 Alton Parkway, Irvine, CA 92606  
 Phone: (949) 851-3114 | Fax: (949) 852-8136

[Sales@FCCable.com](mailto:Sales@FCCable.com)

# RG62A/U

## 93-Ohm Flexible Coax Cable; 0.242" Diameter, Single Shield, Black PVC Jacket



PART NUMBER:	<b>RG62A/U</b>
CATAGORY:	FLEXIBLE
DESCRIPTION:	CABLE
IMPEDANCE:	93.0 OHMS
DIELECTRIC:	SEMI-SOLID POLYETHYLENE
OVERALL DIAMETER:	0.146"
NOMINAL OUTSIDE DIAMETER:	0.242"
QUALIFICATION:	M17/30-RG062

### PHYSICAL CHARACTERISTICS:

OVER-BRAID:	N/A
JACKET MATERIAL:	POLYVINYL CHLORIDE-II A, BLACK
OUTER CONDUCTOR & TYPE OF SHIELD:	94% BARE COPPER, 2.9 OHM/1000FT.
INNER CONDUCTOR:	0.0253, COPPER CLAD STEEL, 22 AWG, 41.2 OHM/1000FT. NOMINAL DIRECT CURRENT RESISTANCE
OUTSIDE DIAMETER:	0.146" DIAMETER 0.035" MONOFILAMENT (AIR SPACE)

### ELECTRICAL CHARACTERISTICS:

NOMINAL CAPACITANCE (PICO FARAD/FT):	14.0
VELOCITY OF PROPAGATION:	84%
MAXIMUM OPERATING FREQUENCY (GHz):	1.0
MAXIMUM OPERATING RANGE (C):	-40 TO +85
MAXIMUM ATTENUATION:	(dB/100ft)
A. 50 MHz:	1.9
B. 100 MHz:	2.7
C. 200 MHz:	4.1
D. 400 MHz:	8.0
E. 1000 MHz:	13.0
QUALIFICATION TEST REPORT#:	17-075-90
QPPROX WT/1000FT:	38 LBS.