


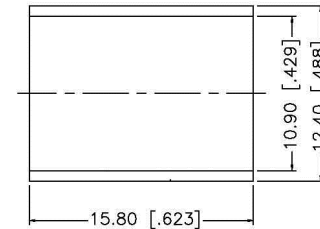
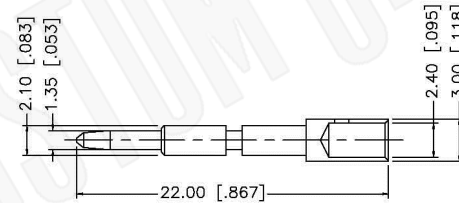
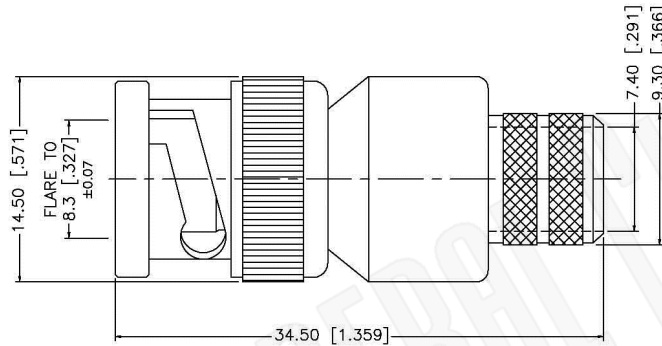
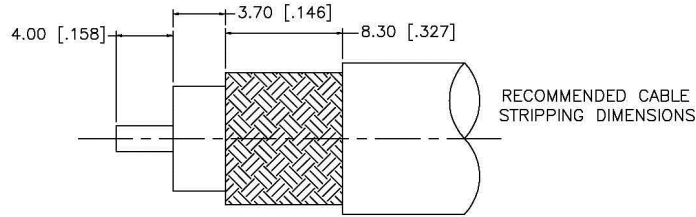
**Material Specifications**

Left Connector: C1021  
 Right Connector: C2005  
 Cable: RG213

**NOTES:**

1. XX EQUALS LENGTH IN INCHES
2. LF DESIGNATES LEAD FREE SOLDER

 <b>Federal Custom Cable</b> www.FCCable.com  1891 Alton Parkway, Irvine, CA 92606 Phone: (949) 851-3114   Fax: (949) 852-8136 Sales@FCCable.com	CAGE CODE 1UKX3	Part Number: <b>CA1026LF-XX</b>	Description: <b>BNC MALE TO BNC FEMALE COAX CABLE ASSEMBLY WITH RG213 FLEXIBLE CABLE ROHS LEAD FREE</b>
	Dimensions Millimeters   Inches		
	Scale: N/A	NOTES: 1. DIMENSIONS ARE IN MILLIMETERS   INCHES 2. UNLESS OTHERWISE SPECIFIED ALL DIMENSIONS ARE NOMINAL 3. SPECIFICATIONS ARE SUBJECT TO CHANGE WITHOUT NOTICE	THIS DRAWING CONTAINS PROPRIETARY INFORMATION THAT BELONGS TO FEDERAL CUSTOM CABLE, LLC. ANY UNAUTHORIZED USE OF THIS DRAWING IS PROHIBITED WITHOUT WRITTEN PERMISSION FROM FEDERAL CUSTOM CABLE. ALL RIGHTS RESERVED. ©2016 COPYRIGHT FEDERAL CUSTOM CABLE, LLC.
	Revision:		



CRIMP NOTES:

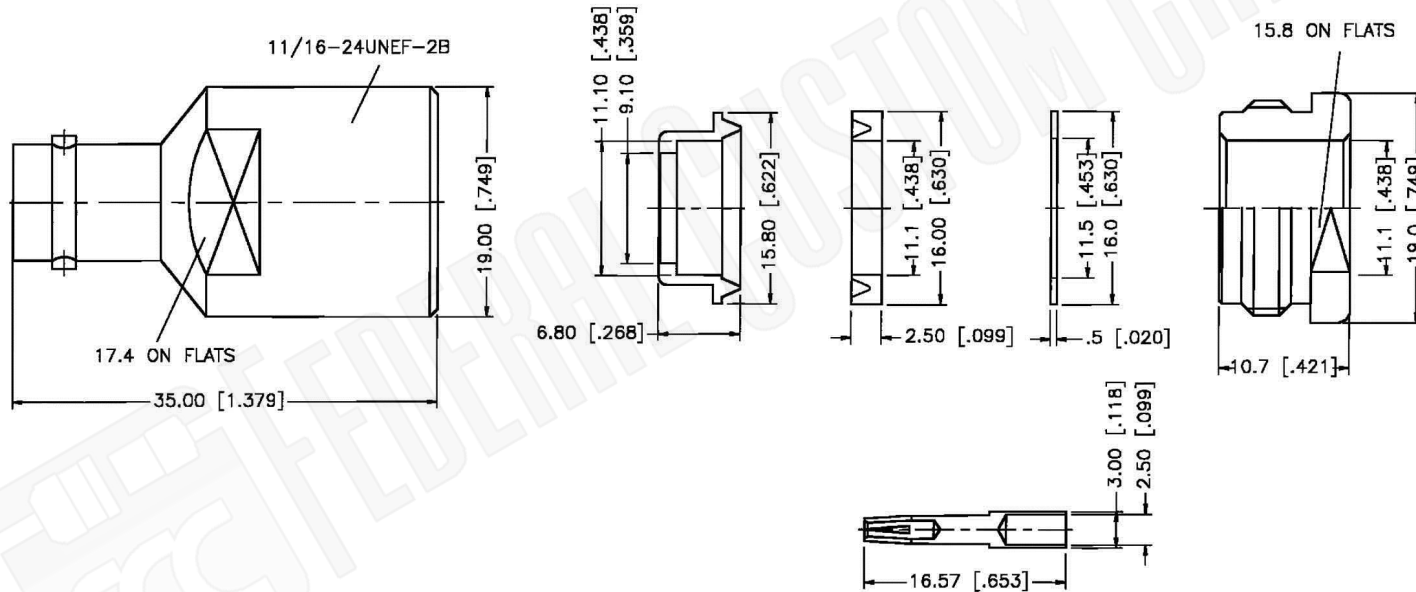
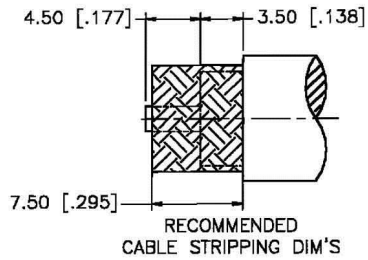
1. CRIMPED FERRULE  
HEX CRIMP SIZE .429"
2. CRIMPED CONTACT PIN  
HEX CRIMP SIZE .100"

**Material Specifications**

Cable(s): RG8, 8A, 213, 393  
 Body: Brass  
 Finish: Nickel  
 Insulation: Teflon  
 Impedence: 50 Ohms



<b>Federal Custom Cable</b> <a href="http://www.FCCable.com">www.FCCable.com</a> 1891 Alton Parkway, Irvine, CA 92606 Phone: (949) 851-3114   Fax: (949) 852-8136 <a href="mailto:Sales@FCCable.com">Sales@FCCable.com</a>	<b>CAGE CODE</b> 1UKX3	<b>Part Number:</b> <h1 style="margin: 0;">C1021</h1>	<b>Description:</b> <h2 style="margin: 0;">BNC MALE CONNECTOR CRIMP FOR RG8, RG213, RG393 CABLES</h2>	
	<b>Dimensions</b> Millimeters   Inches			
	<b>Scale:</b> N/A	<b>NOTES:</b> 1. DIMENSIONS ARE IN MILLIMETERS   INCHES 2. UNLESS OTHERWISE SPECIFIED ALL DIMENSIONS ARE NOMINAL 3. SPECIFICATIONS ARE SUBJECT TO CHANGE WITHOUT NOTICE	THIS DRAWING CONTAINS PROPRIETARY INFORMATION THAT BELONGS TO FEDERAL CUSTOM CABLE, LLC. ANY UNAUTHORIZED USE OF THIS DRAWING IS PROHIBITED WITHOUT WRITTEN PERMISSION FROM FEDERAL CUSTOM CABLE. ALL RIGHTS RESERVED. ©2016 COPYRIGHT FEDERAL CUSTOM CABLE, LLC.	
	<b>Revision:</b>			



### Material Specifications

Cable(s):	RG8, 8A, 213, 393
Body:	Brass
Finish:	Nickel
Insulation:	Teflon
Impedence:	50 Ohms



**Federal Custom Cable**  
www.FCCable.com

**CAGE CODE**  
1UKX3

**Part Number:**

**Description:**

**C2005**

**BNC FEMALE CONNECTOR CLAMP FOR RG8, RG9,  
RG11, RG213, RG214, RG225, RG393 CABLES**

1891 Alton Parkway, Irvine, CA 92606  
Phone: (949) 851-3114 | Fax: (949) 852-8136  
**Sales@FCCable.com**

**Dimensions**  
Millimeters | Inches

**Scale:** N/A

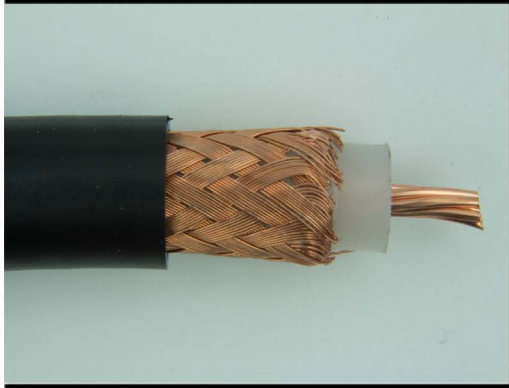
**Revision:**

**NOTES:**  
1. DIMENSIONS ARE IN MILLIMETERS | INCHES  
2. UNLESS OTHERWISE SPECIFIED ALL DIMENSIONS ARE NOMINAL  
3. SPECIFICATIONS ARE SUBJECT TO CHANGE WITHOUT NOTICE

THIS DRAWING CONTAINS PROPRIETARY INFORMATION THAT BELONGS TO FEDERAL CUSTOM CABLE, LLC. ANY UNAUTHORIZED USE OF THIS DRAWING IS PROHIBITED WITHOUT WRITTEN PERMISSION FROM FEDERAL CUSTOM CABLE.  
ALL RIGHTS RESERVED. ©2016 COPYRIGHT FEDERAL CUSTOM CABLE, LLC.

# RG213/U

## 50-Ohm Flexible Coax Cable; 0.405" Diameter, Single Shield, Black PVC Jacket



PART NUMBER:	<b>RG213/U</b>
CATAGORY:	FLEXIBLE
DESCRIPTION:	CABLE
IMPEDANCE:	50 OHMS
DIELECTRIC:	POLYETHYLENE
OUTSIDE DIAMETER:	0.285
NOMINAL OUTSIDE DIAMETER:	0.405

### DIMENSIONS:

QUALIFICATION:	M17/74-RG213 SWEPT ATTN/STRUCTURAL RETURN LOSS 50 TO 1000 MHz
INNER CONDUCTOR:	DIAMETER 0.0888; 7/0.0296 BARE COPPER, 13 AWG, 1.76 OHM/1000FT. NOMINAL DIRECT CURRENT RESISTANCE
OUTER CONDUCTOR & TYPE OF SHIELD:	95% BARE COPPER, 2.9 OHM/1000FT.
JACKET MATERIAL:	POLYVINYL CHLORIDE-II A, BLACK
OVER BRAID & OUTSIDE DIAMETER:	N/A

### ELECTRICAL CHARACTERISTICS:

NOMINAL CAPACITANCE (PICO FARAD/FT):	30.8
VELOCITY OF PROPAGATION:	66%
MAXIMUM OPERATING FREQUENCY (GHz):	1.0
MAXIMUM OPERATING RANGE (C):	-40 TO +85
MAXIMUM ATTENUATION:	dB (MHz/100ft)
A. 50 MHz:	1.2
B. 100 MHz:	2.3
C. 200 MHz:	3.2
D. 400 MHz:	4.8
E. 1000 MHz:	9.0
QUALIFICATION TEST REPORT#:	17-003-91
APPROX WT/1000FT:	111 LBS.