


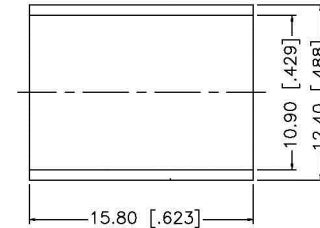
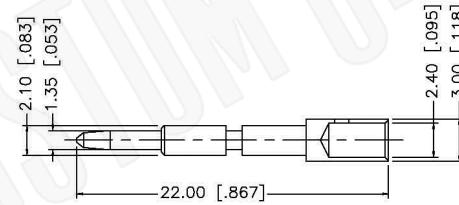
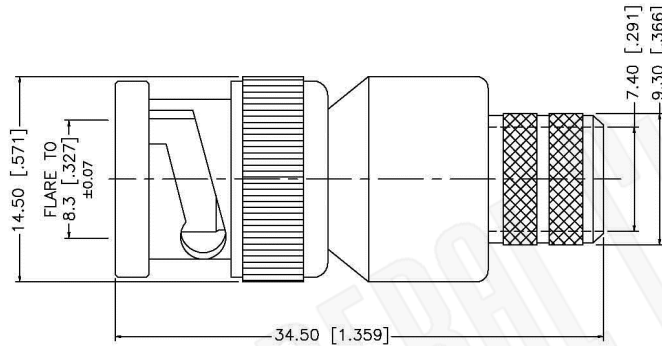
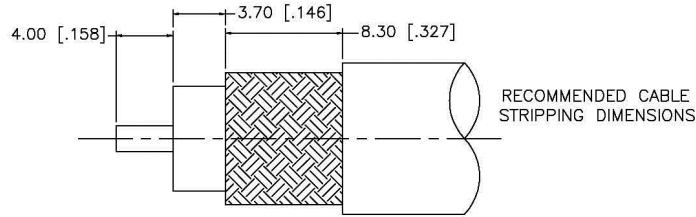
**Material Specifications**

Left Connector: C1021  
 Right Connector: C2010  
 Cable: RG8

**NOTES:**

1. XX EQUALS LENGTH IN INCHES
2. LF DESIGNATES LEAD FREE SOLDER

 <b>Federal Custom Cable</b> <a href="http://www.FCCable.com">www.FCCable.com</a>  1891 Alton Parkway, Irvine, CA 92606 Phone: (949) 851-3114   Fax: (949) 852-8136 <a href="mailto:Sales@FCCable.com">Sales@FCCable.com</a>	<b>CAGE CODE</b> 1UKX3	<b>Part Number:</b> <b>CA1031LF-XX</b>	<b>Description:</b> <b>BNC MALE TO BNC FEMALE BULKHEAD COAX CABLE ASSEMBLY WITH RG8 FLEXIBLE CABLE ROHS LEAD FREE</b>
	<b>Dimensions</b> Millimeters   Inches		
	<b>Scale:</b> N/A	<b>NOTES:</b> 1. DIMENSIONS ARE IN MILLIMETERS   INCHES 2. UNLESS OTHERWISE SPECIFIED ALL DIMENSIONS ARE NOMINAL 3. SPECIFICATIONS ARE SUBJECT TO CHANGE WITHOUT NOTICE	THIS DRAWING CONTAINS PROPRIETARY INFORMATION THAT BELONGS TO FEDERAL CUSTOM CABLE, LLC. ANY UNAUTHORIZED USE OF THIS DRAWING IS PROHIBITED WITHOUT WRITTEN PERMISSION FROM FEDERAL CUSTOM CABLE. ALL RIGHTS RESERVED. ©2016 COPYRIGHT FEDERAL CUSTOM CABLE, LLC.
	<b>Revision:</b>		



CRIMP NOTES:

1. CRIMPED FERRULE  
HEX CRIMP SIZE .429"
2. CRIMPED CONTACT PIN  
HEX CRIMP SIZE .100"

**Material Specifications**

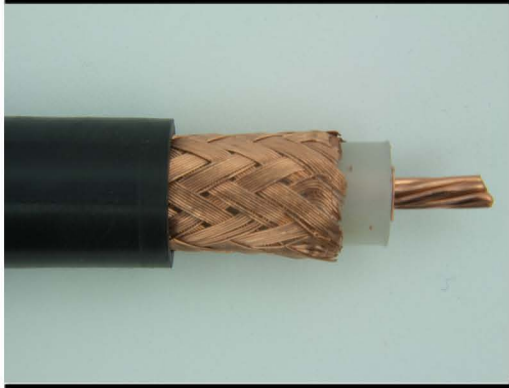
Cable(s): RG8, 8A, 213, 393  
 Body: Brass  
 Finish: Nickel  
 Insulation: Teflon  
 Impedence: 50 Ohms



<b>Federal Custom Cable</b> <a href="http://www.FCCable.com">www.FCCable.com</a> 1891 Alton Parkway, Irvine, CA 92606 Phone: (949) 851-3114   Fax: (949) 852-8136 <a href="mailto:Sales@FCCable.com">Sales@FCCable.com</a>	<b>CAGE CODE</b> 1UKX3	<b>Part Number:</b> <h1 style="margin: 0;">C1021</h1>	<b>Description:</b> <h2 style="margin: 0;">BNC MALE CONNECTOR CRIMP FOR RG8, RG213, RG393 CABLES</h2>	
	<b>Dimensions</b> Millimeters   Inches			
	<b>Scale:</b> N/A	<b>NOTES:</b> 1. DIMENSIONS ARE IN MILLIMETERS   INCHES 2. UNLESS OTHERWISE SPECIFIED ALL DIMENSIONS ARE NOMINAL 3. SPECIFICATIONS ARE SUBJECT TO CHANGE WITHOUT NOTICE	THIS DRAWING CONTAINS PROPRIETARY INFORMATION THAT BELONGS TO FEDERAL CUSTOM CABLE, LLC. ANY UNAUTHORIZED USE OF THIS DRAWING IS PROHIBITED WITHOUT WRITTEN PERMISSION FROM FEDERAL CUSTOM CABLE. ALL RIGHTS RESERVED. ©2016 COPYRIGHT FEDERAL CUSTOM CABLE, LLC.	
	<b>Revision:</b>			

# RG8A/U

## 50-Ohm Flexible Coax Cable; 0.405" Diameter, Single Shield, Black PVC(NC) Jacket



PART NUMBER:	<b>RG8A/U</b>
CATAGORY:	FLEXIBLE
DESCRIPTION:	CABLE
IMPEDANCE:	50 OHMS
DIELECTRIC:	MONO-FILAMENT WRAP AROUND CONDUCTOR
OUTSIDE DIAMETER:	0.285"
NOMINAL OUTSIDE DIAMETER:	0.405"

### PHYSICAL CHARACTERISTICS:

JACKET MATERIAL:	TYPE I POLYVINYL CHLORIDE
OVER-BRAID:	N/A
DESCRIPTION ETL/UL/CSA RATING:	RG8/U TYPE LOW LOSS
CENTER CONDUCTOR:	9.5 AWG SOLID BARE COPPER, 6.50 OHM/1000FT NOMINAL DIRECT CURRENT RESISTANCE
OUTER CONDUCTOR & TYPE OF SHIELD:	1ST BONDED ALUMINUM-POLYESTER-ALUMINUM SHIELD TAPE SND 88% TINNED COPPER BRAID

### ELECTRICAL CHARACTERISTICS:

NOMINAL CAPACITANCE (PICO FARAD/FT):	24.0
VELICITY OF PROPAGATION:	84%
MAX OPERATING FREQUENCY (GHz):	N/A
MAXIMUM OPERATING RANGE (C):	N/A
MAXIMUM ATTENUATION dB (MHz/100ft):	
A. 50 MHz:	0.9
B. 100 MHz:	1.4
C. 200 MHz:	1.8
D. 400 MHz:	2.6
E. 900 MHz:	4.2
F. 1000 MHz:	4.6
G. 4000 MHz:	11.0
APPROX WT/1000FT:	98 LBS.