


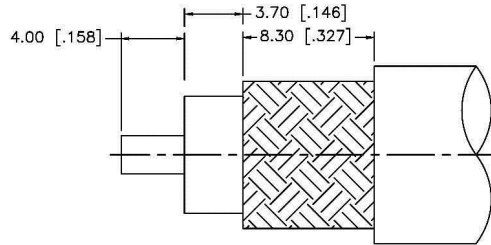
Material Specifications

Left Connector: C1092
 Right Connector: C1092
 Cable: RG214

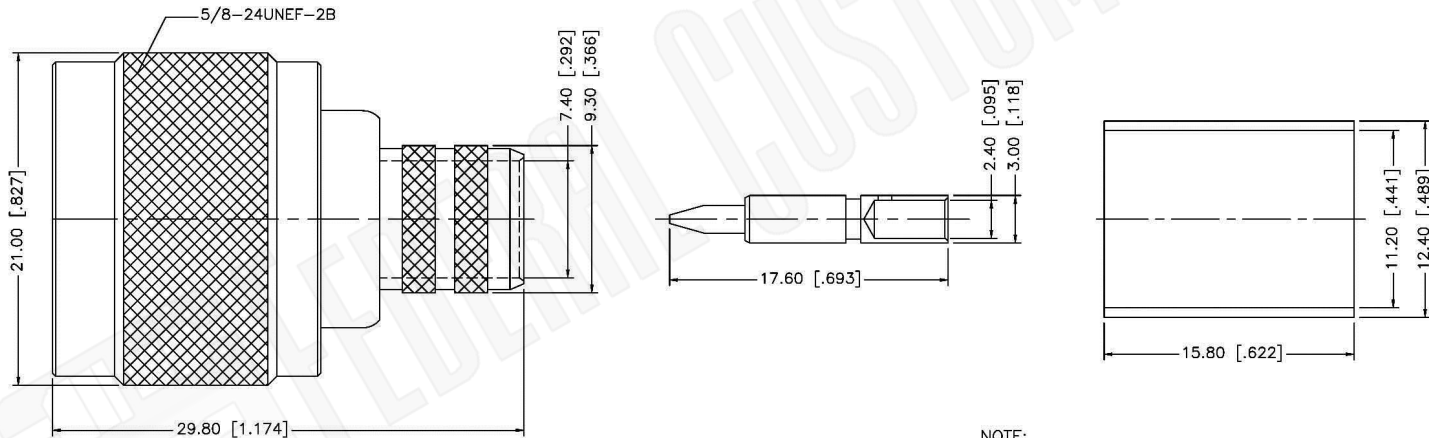
NOTES:

1. XX EQUALS LENGTH IN INCHES

| | | | |
|---|---|--|---|
|  Federal Custom Cable www.FCCable.com 1891 Alton Parkway, Irvine, CA 92606 Phone: (949) 851-3114 Fax: (949) 852-8136 Sales@FCCable.com | CAGE CODE 1UKX3 | Part Number: CA1263-XX | Description: N MALE TO N MALE COAX CABLE ASSEMBLY WITH RG214 FLEXIBLE CABLE |
| | Dimensions Millimeters Inches | | |
| | Scale: N/A | NOTES: 1. DIMENSIONS ARE IN MILLIMETERS INCHES 2. UNLESS OTHERWISE SPECIFIED ALL DIMENSIONS ARE NOMINAL 3. SPECIFICATIONS ARE SUBJECT TO CHANGE WITHOUT NOTICE | THIS DRAWING CONTAINS PROPRIETART INFORMATION THAT BELONGS TO FEDERAL CUSTOM CABLE, LLC. ANY UNAUTHORIZED USE OF THIS DRAWING IS PROHIBITED WITHOUT WRITTEN PERMISSION FROM FEDERAL CUSTOM CABLE. ALL RIGHTS RESERVED. ©2020 COPYRIGHT FEDERAL CUSTOM CABLE, LLC. |
| | Revision: | | |



RECOMMENDED
CABLE STRIPPING DIM'S



NOTE:

1. CRIMPED FERRULE HEX CRIMP SIZE .429"
2. CRIMPED CONTACT PIN HEX CRIMP SIZE .100"

Material Specifications

Cable(s): RG214
 Body: Brass
 Finish: Gold
 Insulation: Teflon
 Impedence: 50 Ohms



Federal Custom Cable
www.FCCable.com

CAGE CODE
 1UKX3

Part Number:

Description:

C1092

**N MALE CONNECTOR CRIMP FOR RG9, RG214,
 RG225 CABLES**

1891 Alton Parkway, Irvine, CA 92606
 Phone: (949) 851-3114 | Fax: (949) 852-8136
Sales@FCCable.com

Dimensions
 Millimeters | Inches

Scale: N/A

Revision:

NOTES:
 1. DIMENSIONS ARE IN MILLIMETERS | INCHES
 2. UNLESS OTHERWISE SPECIFIED ALL DIMENSIONS ARE NOMINAL
 3. SPECIFICATIONS ARE SUBJECT TO CHANGE WITHOUT NOTICE

THIS DRAWING CONTAINS PROPRIETARY INFORMATION THAT BELONGS TO FEDERAL CUSTOM CABLE, LLC. ANY UNAUTHORIZED USE OF THIS DRAWING IS PROHIBITED WITHOUT WRITTEN PERMISSION FROM FEDERAL CUSTOM CABLE. ALL RIGHTS RESERVED. ©2016 COPYRIGHT FEDERAL CUSTOM CABLE, LLC.

RG214/U

50-Ohm Flexible Coax Cable; 0.425" Diameter, Double Shield, Black PVC Jacket



| | |
|---------------------------|----------------|
| PART NUMBER: | RG214/U |
| CATAGORY: | FLEXIBLE |
| DESCRIPTION: | CABLE |
| IMPEDANCE: | 50 OHMS |
| DIELECTRIC: | POLYETHYLENE |
| OUTSIDE DIAMETER: | 0.285 |
| NOMINAL OUTSIDE DIAMETER: | 0.425 |

PHYSICAL CHARACTERISTICS:

| | |
|------------------|--|
| QUALIFICATION: | M17/74-RG214 SWEPT ATTN/STRUCTURAL RETURN LOSS (50 MHz TO 11 GHz) |
| INNER CONDUCTOR: | DIAMETER 0.0888; 7/0.0296 SILVER PLATE COPPER, 13 AWG, 1.73 OHM/1000FT. NOMINAL DIRECT CURRENT RESISTANCE |
| OUTER CONDUCTOR: | 1ST 96% SILVER PLATE COPPER, 2ND 98% SILVER PLATE COPPER, 0.70 OHM/1000FT. NOMINAL DIRECT CURRENT RESISTANCE |
| JACKET MATERIAL | POLYVINYL CHLORIDE-II A, BLACK |

ELECTRICAL CHARACTERISTICS:

| | |
|--------------------------------------|----------------|
| OVER BRAID & OUTSIDE DIAMETER: | N/A |
| NOMINAL CAPACITANCE (PICO FARAD/FT): | 30.8 |
| VELOCITY OF PROPAGATION: | 66% |
| MAXIMUM OPERATING FREQUENCY (GHz): | 11.0 |
| MAXIMUM OPERATING RANGE (C): | -40 TO +85 |
| MAXIMUM ATTENUATION: | dB (MHz/100FT) |
| A. 50 MHz: | 1.7 |
| B. 100 MHz: | 2.2 |
| C. 200 MHz: | 3.2 |
| D. 400 MHz: | 6.8 |
| E. 1000 MHz: | 8.0 |
| A. 11000 MHz: | 60.0 |
| QUALIFICATION TEST REPORT#: | 17-396-90 |
| APPROX WT/1000FT: | 130 LBS. |