


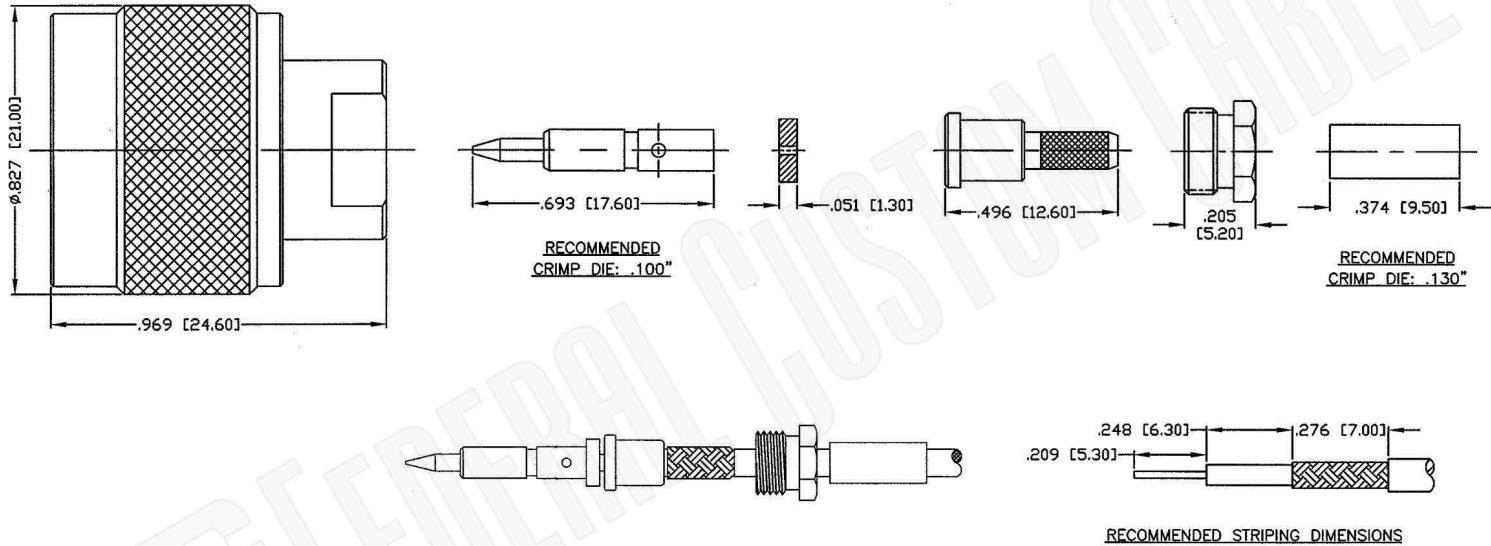
**Material Specifications**

Left Connector: C1085  
 Right Connector: C1195  
 Cable: RG316DS

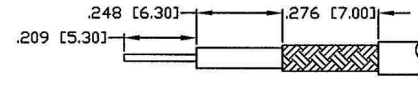
**NOTES:**

1. XX EQUALS LENGTH IN INCHES

 <b>Federal Custom Cable</b> www.FCCable.com  1891 Alton Parkway, Irvine, CA 92606 Phone: (949) 851-3114   Fax: (949) 852-8136 Sales@FCCable.com	<b>CAGE CODE</b> 1UKX3	<b>Part Number:</b> CA1303-XX	<b>Description:</b> <b>N MALE TO TNC MALE COAX CABLE ASSEMBLY                  WITH RG316DS FLEXIBLE CABLE</b>
	<b>Dimensions</b> Millimeters   Inches		
	<b>Scale:</b> N/A	<b>NOTES:</b> 1. DIMENSIONS ARE IN MILLIMETERS   INCHES 2. UNLESS OTHERWISE SPECIFIED ALL DIMENSIONS ARE NOMINAL 3. SPECIFICATIONS ARE SUBJECT TO CHANGE WITHOUT NOTICE	THIS DRAWING CONTAINS PROPRIETART INFORMATION THAT BELONGS TO FEDERAL CUSTOM CABLE, LLC. ANY UNAUTHORIZED USE OF THIS DRAWING IS PROHIBITED WITHOUT WRITTEN PERMISSION FROM FEDERAL CUSTOM CABLE. ALL RIGHTS RESERVED. ©2020 COPYRIGHT FEDERAL CUSTOM CABLE, LLC.
	<b>Revision:</b>		



NOTE COMPONENTS THAT MUST BE IN PLACE BEFORE INSERTING PIN INTO CONNECTOR



RECOMMENDED STRIPING DIMENSIONS

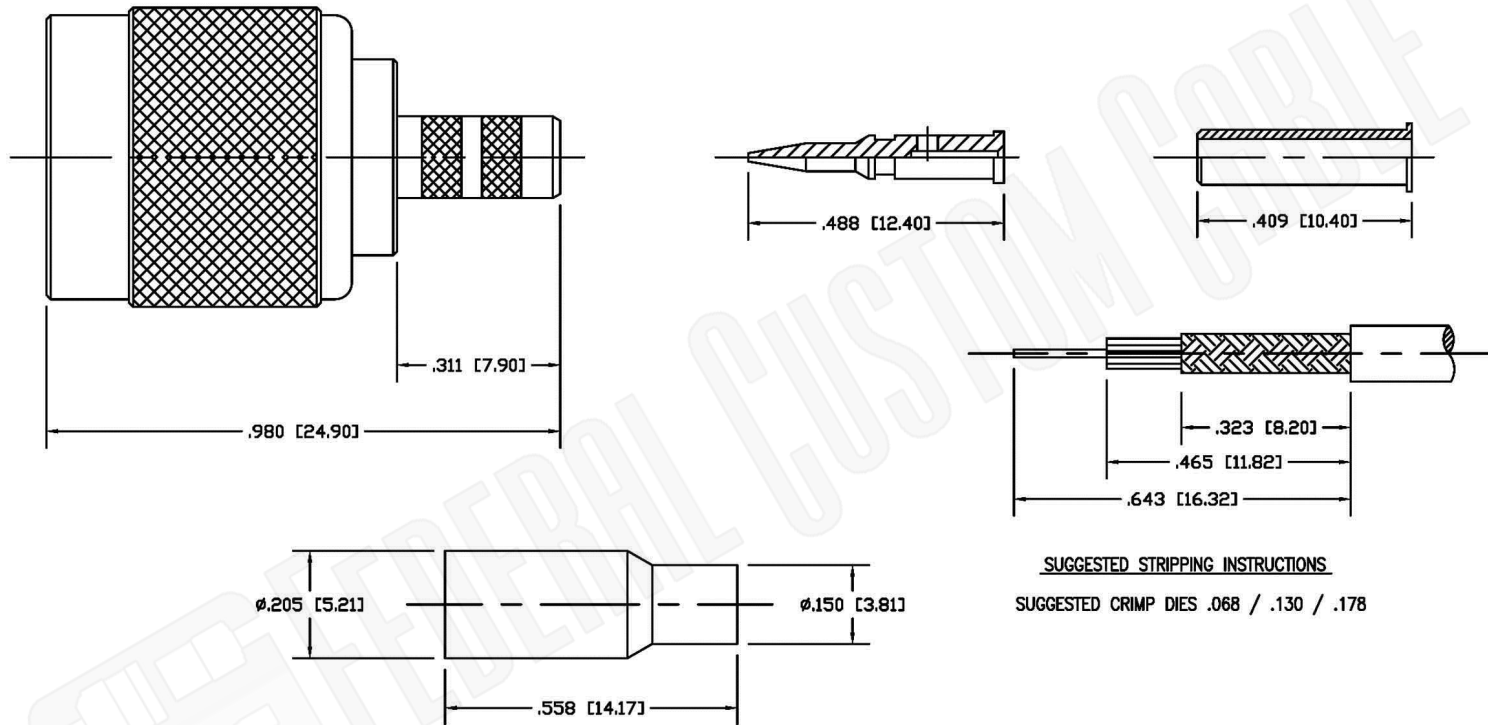
**Material Specifications**

Cable(s): RG316DS  
 Body: Brass  
 Finish: Nickel  
 Insulation: Teflon  
 Impedence: 50 Ohms



**FCC Federal Custom Cable**  
[www.FCCable.com](http://www.FCCable.com)  
 1891 Alton Parkway, Irvine, CA 92606  
 Phone: (949) 851-3114 | Fax: (949) 852-8136  
[Sales@FCCable.com](mailto:Sales@FCCable.com)

<b>CAGE CODE</b> 1UKX3  <b>Dimensions</b> Millimeters   Inches  <b>Scale:</b> N/A  <b>Revision:</b>	<b>Part Number:</b>  <h1>C1085</h1>	<b>Description:</b>  <b>N MALE CONNECTOR CRIMP FOR RG174, RG188, RG316, B7805A CABLES</b>
	<b>NOTES:</b> 1. DIMENSIONS ARE IN MILLIMETERS   INCHES 2. UNLESS OTHERWISE SPECIFIED ALL DIMENSIONS ARE NOMINAL 3. SPECIFICATIONS ARE SUBJECT TO CHANGE WITHOUT NOTICE	THIS DRAWING CONTAINS PROPRIETARY INFORMATION THAT BELONGS TO FEDERAL CUSTOM CABLE, LLC. ANY UNAUTHORIZED USE OF THIS DRAWING IS PROHIBITED WITHOUT WRITTEN PERMISSION FROM FEDERAL CUSTOM CABLE. ALL RIGHTS RESERVED. ©2016 COPYRIGHT FEDERAL CUSTOM CABLE, LLC.



**SUGGESTED STRIPPING INSTRUCTIONS**

SUGGESTED CRIMP DIES .068 / .130 / .178

**Material Specifications**

Cable(s): RG174, 188A, 316, B7805A  
 Body: Brass  
 Finish: Nickel  
 Insulation: Teflon  
 Impedence: 50 Ohms



**Federal Custom Cable**  
[www.FCCable.com](http://www.FCCable.com)  
 1891 Alton Parkway, Irvine, CA 92606  
 Phone: (949) 851-3114 | Fax: (949) 852-8136  
[Sales@FCCable.com](mailto:Sales@FCCable.com)

**CAGE CODE**  
 1UKX3  
**Dimensions**  
 Millimeters | Inches  
**Scale:** N/A  
**Revision:**

**Part Number:**  
**C1195**  
**NOTES:**  
 1. DIMENSIONS ARE IN MILLIMETERS | INCHES  
 2. UNLESS OTHERWISE SPECIFIED ALL DIMENSIONS ARE NOMINAL  
 3. SPECIFICATIONS ARE SUBJECT TO CHANGE WITHOUT NOTICE

**Description:**  
**TNC MALE CONNECTOR CRIMP FOR RG174, RG188, RG316, B7805A CABLES**  
 THIS DRAWING CONTAINS PROPRIETARY INFORMATION THAT BELONGS TO FEDERAL CUSTOM CABLE, LLC. ANY UNAUTHORIZED USE OF THIS DRAWING IS PROHIBITED WITHOUT WRITTEN PERMISSION FROM FEDERAL CUSTOM CABLE. ALL RIGHTS RESERVED. ©2016 COPYRIGHT FEDERAL CUSTOM CABLE, LLC.

# RG316-DS

## 50-Ohm Flexible Coax Cable; 0.114" Diameter, Double Shield, Tan FEP Jacket



PART NUMBER:	<b>RG316-DS</b>
CATAGORY:	FLEXIBLE
DESCRIPTION:	CABLE
IMPEDANCE:	50 OHMS +/-2
DIELECTRIC:	EXTRUDED TEFLON
OVERALL DIAMETER:	0.114"
DIELECTRIC DIAMETER:	0.060"

### DIMENSIONS:

CENTER CONDUCTOR:	0.020" DIAMETER (7/0.0067") SPCW
OPERATING TEMPERATURE:	-55 C TO +200 C
WEIGHT PER 1000 FT:	18.5 LBS.
MINIMUM BEND RADUIS:	0.57"
BRAID #1:	38 AWG SILVER PLATED COPPER, 95% COVERAGE, 0.076" OUTSIDE DIAMETER
BRAID #2:	38 AWG SILVER PLATED COPPER, 95% COVERAGE, 0.096" OUTSIDE DIAMETER

### ELECTRICAL CHARACTERISTICS:

CAPACITANCE:	32.0 PFARAD/FT
VELOCITY OF PROPAGATION:	69.5% NOM.
TIME DELAY:	1.50 NS MAX.
CUT-OFF FREQUENCY:	65 GHz

MAXIMUM ATTENUATION:	(dB/100ft)
A. 50 MHz:	0.75
B. 500 MHz:	26.0
C. 1 GHz:	40.0
D. 3 GHz:	75.0
E. 10 GHz:	170.0
F. 12.4 GHz:	200.0

MAXIMUM POWER:	
A. 400 MHz:	240
B. 1 GHz:	160
C. 3 GHz:	80
D. 5 GHz:	57
E. 10 GHz:	30