




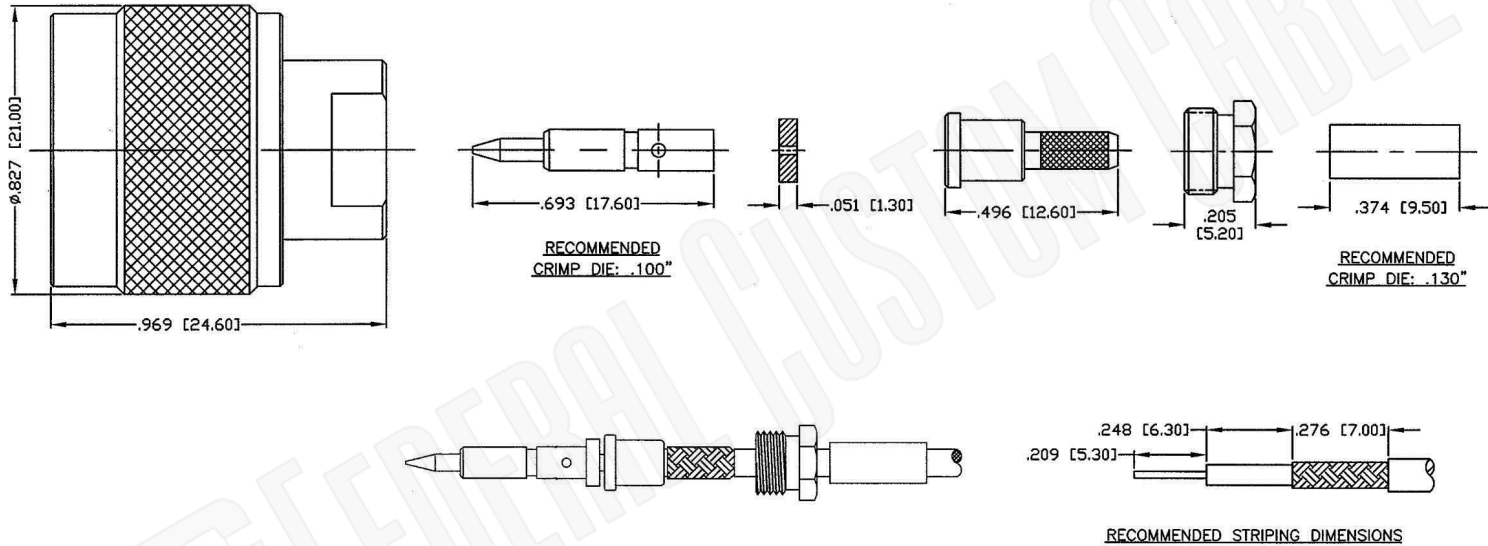
Material Specifications

Left Connector: C1085
 Right Connector: C1195
 Cable: RG316DS

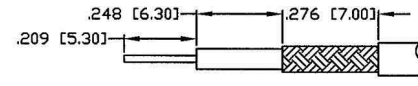
NOTES:

1. XX EQUALS LENGTH IN INCHES
2. LF DESIGNATES LEAD FREE SOLDER

 <p>Federal Custom Cable www.FCCable.com</p> <p>1891 Alton Parkway, Irvine, CA 92606 Phone: (949) 851-3114 Fax: (949) 852-8136 Sales@FCCable.com</p>	<p>CAGE CODE 1UKX3</p>	<p>Part Number: CA1303LF-XX</p>	<p>Description: N MALE TO TNC MALE COAX CABLE ASSEMBLY WITH RG316DS FLEXIBLE CABLE ROHS LEAD FREE</p>
	<p>Dimensions Millimeters Inches</p>		
	<p>Scale: N/A</p>	<p>NOTES: 1. DIMENSIONS ARE IN MILLIMETERS INCHES 2. UNLESS OTHERWISE SPECIFIED ALL DIMENSIONS ARE NOMINAL 3. SPECIFICATIONS ARE SUBJECT TO CHANGE WITHOUT NOTICE</p>	<p>THIS DRAWING CONTAINS PROPRIETARY INFORMATION THAT BELONGS TO FEDERAL CUSTOM CABLE, LLC. ANY UNAUTHORIZED USE OF THIS DRAWING IS PROHIBITED WITHOUT WRITTEN PERMISSION FROM FEDERAL CUSTOM CABLE. ALL RIGHTS RESERVED. ©2016 COPYRIGHT FEDERAL CUSTOM CABLE, LLC.</p>
	<p>Revision:</p>		



NOTE COMPONENTS THAT MUST BE IN PLACE BEFORE INSERTING PIN INTO CONNECTOR



RECOMMENDED STRIPING DIMENSIONS

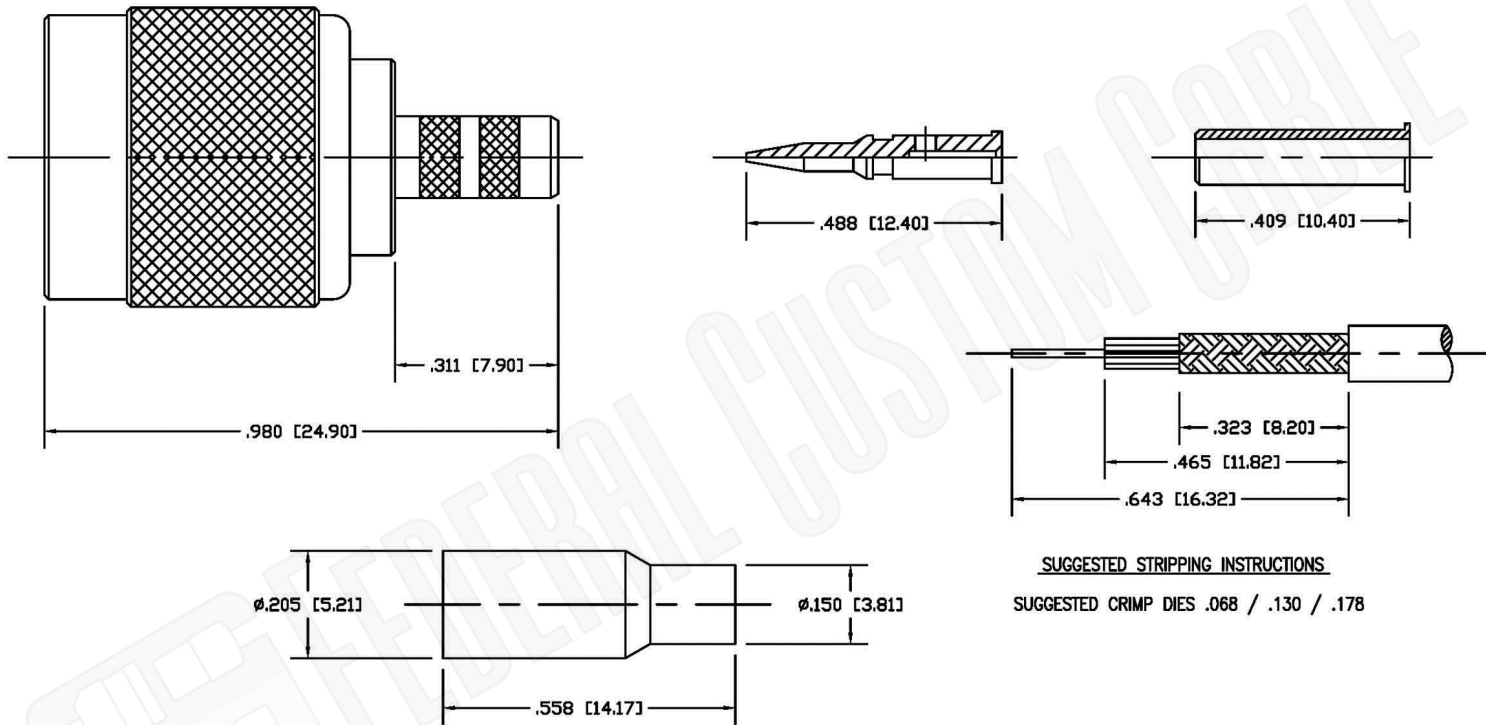
Material Specifications

Cable(s): RG316DS
 Body: Brass
 Finish: Nickel
 Insulation: Teflon
 Impedence: 50 Ohms



FCC Federal Custom Cable
 www.FCCable.com
 1891 Alton Parkway, Irvine, CA 92606
 Phone: (949) 851-3114 | Fax: (949) 852-8136
 Sales@FCCable.com

CAGE CODE 1UKX3	Part Number: C1085	Description: N MALE CONNECTOR CRIMP FOR RG174, RG188, RG316, B7805A CABLES
Dimensions Millimeters Inches	NOTES: 1. DIMENSIONS ARE IN MILLIMETERS INCHES 2. UNLESS OTHERWISE SPECIFIED ALL DIMENSIONS ARE NOMINAL 3. SPECIFICATIONS ARE SUBJECT TO CHANGE WITHOUT NOTICE	THIS DRAWING CONTAINS PROPRIETARY INFORMATION THAT BELONGS TO FEDERAL CUSTOM CABLE, LLC. ANY UNAUTHORIZED USE OF THIS DRAWING IS PROHIBITED WITHOUT WRITTEN PERMISSION FROM FEDERAL CUSTOM CABLE. ALL RIGHTS RESERVED. ©2016 COPYRIGHT FEDERAL CUSTOM CABLE, LLC.
Revision:		



SUGGESTED STRIPPING INSTRUCTIONS

SUGGESTED CRIMP DIES .068 / .130 / .178

Material Specifications

Cable(s): RG174, 188A, 316, B7805A
 Body: Brass
 Finish: Nickel
 Insulation: Teflon
 Impedence: 50 Ohms



Federal Custom Cable
www.FCCable.com
 1891 Alton Parkway, Irvine, CA 92606
 Phone: (949) 851-3114 | Fax: (949) 852-8136
Sales@FCCable.com

CAGE CODE
 1UKX3
Dimensions
 Millimeters | Inches
Scale: N/A
Revision:

Part Number:
C1195
NOTES:
 1. DIMENSIONS ARE IN MILLIMETERS | INCHES
 2. UNLESS OTHERWISE SPECIFIED ALL DIMENSIONS ARE NOMINAL
 3. SPECIFICATIONS ARE SUBJECT TO CHANGE WITHOUT NOTICE

Description:
TNC MALE CONNECTOR CRIMP FOR RG174, RG188, RG316, B7805A CABLES
 THIS DRAWING CONTAINS PROPRIETARY INFORMATION THAT BELONGS TO FEDERAL CUSTOM CABLE, LLC. ANY UNAUTHORIZED USE OF THIS DRAWING IS PROHIBITED WITHOUT WRITTEN PERMISSION FROM FEDERAL CUSTOM CABLE. ALL RIGHTS RESERVED. ©2016 COPYRIGHT FEDERAL CUSTOM CABLE, LLC.

RG316-DS

50-Ohm Flexible Coax Cable; 0.114" Diameter, Double Shield, Tan FEP Jacket



PART NUMBER:	RG316-DS
CATAGORY:	FLEXIBLE
DESCRIPTION:	CABLE
IMPEDANCE:	50 OHMS +/-2
DIELECTRIC:	EXTRUDED TEFLON
OVERALL DIAMETER:	0.114"
DIELECTRIC DIAMETER:	0.060"

DIMENSIONS:

CENTER CONDUCTOR:	0.020" DIAMETER (7/0.0067") SPCW
OPERATING TEMPERATURE:	-55 C TO +200 C
WEIGHT PER 1000 FT:	18.5 LBS.
MINIMUM BEND RADUIS:	0.57"
BRAID #1:	38 AWG SILVER PLATED COPPER, 95% COVERAGE, 0.076" OUTSIDE DIAMETER
BRAID #2:	38 AWG SILVER PLATED COPPER, 95% COVERAGE, 0.096" OUTSIDE DIAMETER

ELECTRICAL CHARACTERISTICS:

CAPACITANCE:	32.0 PFARAD/FT
VELOCITY OF PROPAGATION:	69.5% NOM.
TIME DELAY:	1.50 NS MAX.
CUT-OFF FREQUENCY:	65 GHz

MAXIMUM ATTENUATION:	(dB/100ft)
A. 50 MHz:	0.75
B. 500 MHz:	26.0
C. 1 GHz:	40.0
D. 3 GHz:	75.0
E. 10 GHz:	170.0
F. 12.4 GHz:	200.0

MAXIMUM POWER:	
A. 400 MHz:	240
B. 1 GHz:	160
C. 3 GHz:	80
D. 5 GHz:	57
E. 10 GHz:	30