
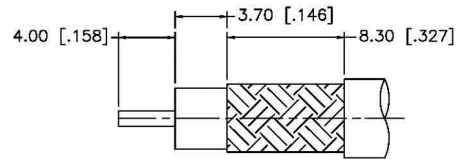


**Material Specifications**

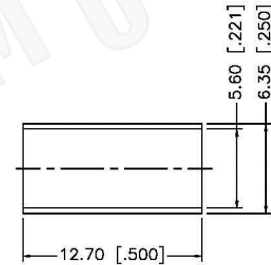
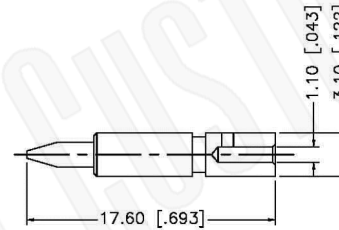
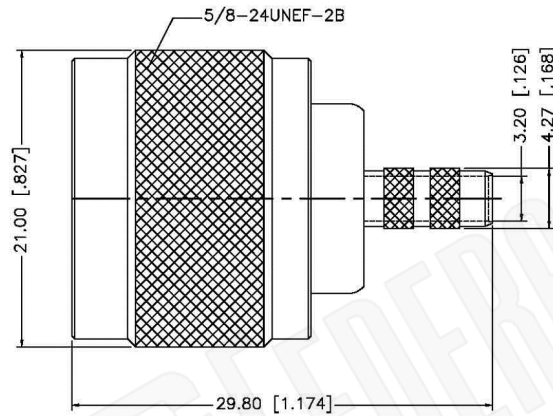
Left Connector: C1087  
 Right Connector: C1112  
 Cable: RG142

**NOTE: XX EQUALS LENGTH IN INCHES**

 <b>Federal Custom Cable</b> www.FCCable.com  1891 Alton Parkway, Irvine, CA 92606 Phone: (949) 851-3114   Fax: (949) 852-8136 Sales@FCCable.com	<b>CAGE CODE</b> 1UKX3	<b>Part Number:</b> CA1365-XX	<b>Description:</b> N MALE TO SMA FEMALE CABLE ASSEMBLY WITH RG142 CABLE
	<b>Dimensions</b> Millimeters   Inches		
	<b>Scale:</b> N/A	<b>NOTES:</b> 1. DIMENSIONS ARE IN MILLIMETERS   INCHES 2. UNLESS OTHERWISE SPECIFIED ALL DIMENSIONS ARE NOMINAL 3. SPECIFICATIONS ARE SUBJECT TO CHANGE WITHOUT NOTICE	THIS DRAWING CONTAINS PROPRIETARY INFORMATION THAT BELONGS TO FEDERAL CUSTOM CABLE, LLC. ANY UNAUTHORIZED USE OF THIS DRAWING IS PROHIBITED WITHOUT WRITTEN PERMISSION FROM FEDERAL CUSTOM CABLE. ALL RIGHTS RESERVED. ©2016 COPYRIGHT FEDERAL CUSTOM CABLE, LLC.
	<b>Revision:</b>		



RECOMMENDED  
CABLE STRIPPING DIM'S



NOTES:

1. CRIMPED FERRULE HEX CRIMP SIZE .213" [5.41]
2. CRIMPED CONTACT PIN HEX CRIMP SIZE .100" [2.54]

**Material Specifications**

Cable(s): RG55,142,223,400  
 Body: Brass  
 Finish: White Bronze  
 Insulation: Teflon  
 Impedence: 50 Ohms



**Federal Custom Cable**  
www.FCCable.com

1891 Alton Parkway, Irvine, CA 92606  
 Phone: (949) 851-3114 | Fax: (949) 852-8136

Sales@FCCable.com

CAGE CODE  
1UKX3

Dimensions  
Millimeters | Inches

Scale: N/A

Revision:

Part Number:

**C1087**

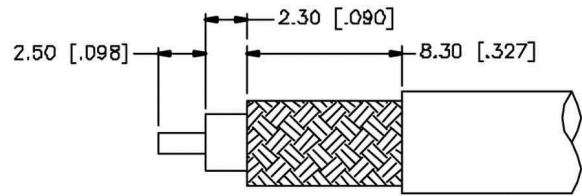
Description:

**N MALE CONNECTOR CRIMP FOR RG55, RG142,  
RG223, RG400 CABLES**

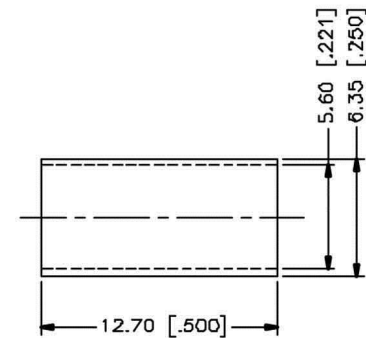
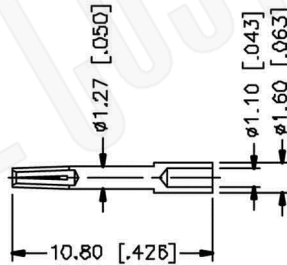
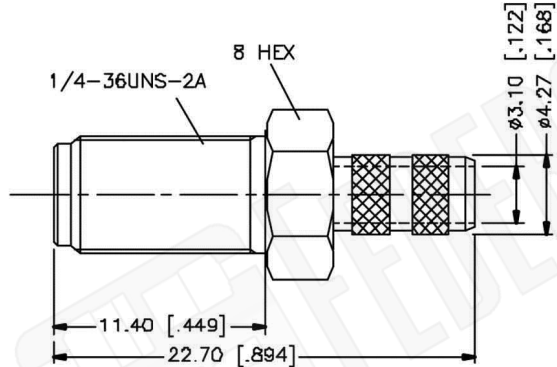
NOTES:

1. DIMENSIONS ARE IN MILLIMETERS | INCHES
2. UNLESS OTHERWISE SPECIFIED ALL DIMENSIONS ARE NOMINAL
3. SPECIFICATIONS ARE SUBJECT TO CHANGE WITHOUT NOTICE

THIS DRAWING CONTAINS PROPRIETARY INFORMATION THAT BELONGS TO FEDERAL CUSTOM CABLE, LLC. ANY UNAUTHORIZED USE OF THIS DRAWING IS PROHIBITED WITHOUT WRITTEN PERMISSION FROM FEDERAL CUSTOM CABLE. ALL RIGHTS RESERVED. ©2016 COPYRIGHT FEDERAL CUSTOM CABLE, LLC.



RECOMMENDED CABLE STRIPPING DIMS.



**Material Specifications**

Cable(s): RG58,58A,58C,141,303,LMR195,B7806A  
 Body: Brass  
 Finish: Gold  
 Insulation: Teflon  
 Impedence: 50 Ohms



**Federal Custom Cable**  
[www.FCCable.com](http://www.FCCable.com)  
 1891 Alton Parkway, Irvine, CA 92606  
 Phone: (949) 851-3114 | Fax: (949) 852-8136  
[Sales@FCCable.com](mailto:Sales@FCCable.com)

CAGE CODE 1UKX3	
Dimensions Millimeters   Inches	
Scale:	N/A
Revision:	

Part Number:  
**C1112**

NOTES:  
 1. DIMENSIONS ARE IN MILLIMETERS | INCHES  
 2. UNLESS OTHERWISE SPECIFIED ALL DIMENSIONS ARE NOMINAL  
 3. SPECIFICATIONS ARE SUBJECT TO CHANGE WITHOUT NOTICE

Description:  
**SMA FEMALE CONNECTOR CRIMP FOR RG55, RG142, RG223, RG400 CABLES**

THIS DRAWING CONTAINS PROPRIETARY INFORMATION THAT BELONGS TO FEDERAL CUSTOM CABLE, LLC. ANY UNAUTHORIZED USE OF THIS DRAWING IS PROHIBITED WITHOUT WRITTEN PERMISSION FROM FEDERAL CUSTOM CABLE. ALL RIGHTS RESERVED. ©2016 COPYRIGHT FEDERAL CUSTOM CABLE, LLC.

# RG142B/U

## 50-Ohm Flexible Coax Cable; 0.195" Diameter, Single Shield, Tan FEP Jacket



PART NUMBER:	<b>RG142B/U</b>
CATAGORY:	FLEXIBLE
DESCRIPTION:	CABLE
IMPEDANCE:	50 OHMS
DIELECTRIC:	TEFLON
OVERALL DIAMETER:	0.195"
DIELECTRIC DIAMETER:	0.116"

### PHYSICAL CHARACTERISTICS:

SHIELD:	DOUBLE BRAID SILVER PLATED COPPER
JACKET:	FLUORINATED ETHYLENE PROPYLENE
OPERATING TEMPERATURE:	-55 C TO +200 C
WEIGHT:	43 LBS/1000FT
CENTER CONDUCTOR:	0.037" DIAMETER (SILVER PLATED COPPER-CLAD STEEL)

### ELECTRICAL CHARACTERISTICS:

CAPACITANCE:	29.4 PFARAD/FT
MAXIMUM OPERATING VOLTAGE:	1900 VRMS
MAXIMUM ATTENUATION:	(dB/100ft)
A. 100 MHz:	5.5
B. 400 MHz:	11.7
C. 1 GHz:	19.0
D. 3 GHz:	35.0
E. 5 GHz:	48.0
MAXIMUM FREQUENCY (GHz):	12.4
MAXIMUM POWER:	
A. 400 MHz:	110
B. 1 GHz:	550
C. 3 GHz:	350
D. 5 GHz:	245
E. 10 GHz:	140