


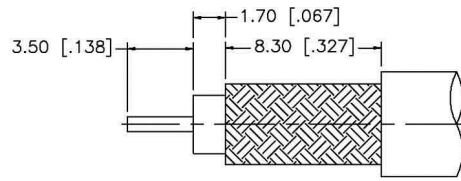
Material Specifications

Left Connector: C1137
 Right Connector: C1087
 Cable: RG223

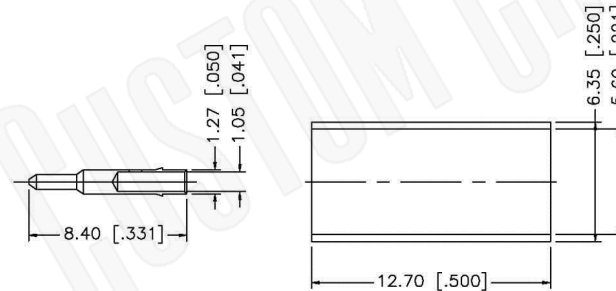
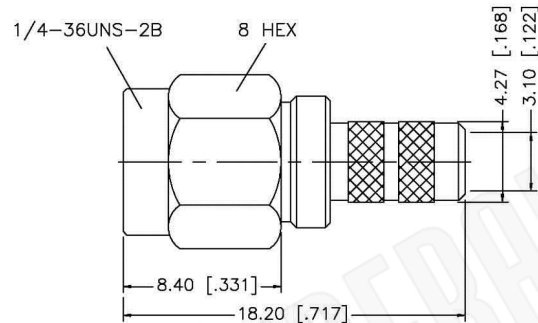
NOTES:

1. XX EQUALS LENGTH IN INCHES

 Federal Custom Cable www.FCCable.com 1891 Alton Parkway, Irvine, CA 92606 Phone: (949) 851-3114 Fax: (949) 852-8136 Sales@FCCable.com	CAGE CODE 1UKX3	Part Number: CA1439-XX	Description: SMA MALE TO N MALE COAX CABLE ASSEMBLY WITH RG223 FLEXIBLE CABLE
	Dimensions Millimeters Inches		
	Scale: N/A	NOTES: 1. DIMENSIONS ARE IN MILLIMETERS INCHES 2. UNLESS OTHERWISE SPECIFIED ALL DIMENSIONS ARE NOMINAL 3. SPECIFICATIONS ARE SUBJECT TO CHANGE WITHOUT NOTICE	THIS DRAWING CONTAINS PROPRIETART INFORMATION THAT BELONGS TO FEDERAL CUSTOM CABLE, LLC. ANY UNAUTHORIZED USE OF THIS DRAWING IS PROHIBITED WITHOUT WRITTEN PERMISSION FROM FEDERAL CUSTOM CABLE. ALL RIGHTS RESERVED. ©2020 COPYRIGHT FEDERAL CUSTOM CABLE, LLC.
	Revision:		



RECOMMENDED CABLE STRIPPING DIMENSIONS



CRIMP NOTES:

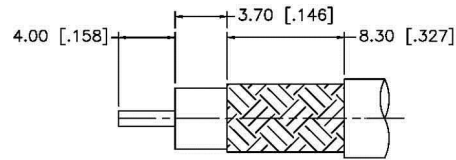
1. CRIMPED FERRULE
HEX CRIMP SIZE .213"
2. SOLDER CENTER CONTACT

Material Specifications

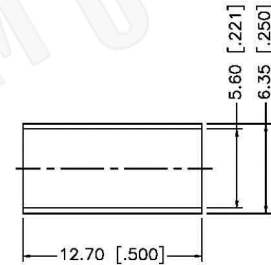
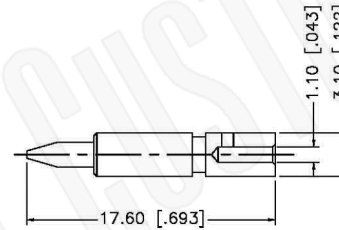
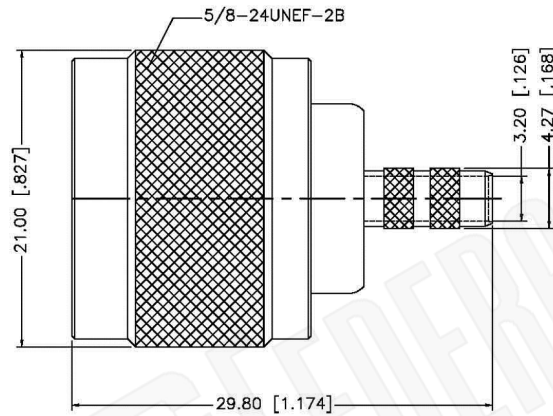
Cable(s): RG55,142,223,400
 Body: Brass
 Finish: Gold
 Insulation: Teflon
 Impedence: 50 Ohms



Federal Custom Cable www.FCCable.com 1891 Alton Parkway, Irvine, CA 92606 Phone: (949) 851-3114 Fax: (949) 852-8136 Sales@FCCable.com	CAGE CODE 1UKX3	Part Number: <h1>C1137</h1>	Description: <h2>SMA MALE CONNECTOR CRIMP FOR RG55, RG142, RG223, RG400 CABLES</h2>
	Dimensions Millimeters Inches	Scale: N/A	Revision:
THIS DRAWING CONTAINS PROPRIETARY INFORMATION THAT BELONGS TO FEDERAL CUSTOM CABLE, LLC. ANY UNAUTHORIZED USE OF THIS DRAWING IS PROHIBITED WITHOUT WRITTEN PERMISSION FROM FEDERAL CUSTOM CABLE. ALL RIGHTS RESERVED. ©2016 COPYRIGHT FEDERAL CUSTOM CABLE, LLC.			



RECOMMENDED
CABLE STRIPPING DIM'S



NOTES:

1. CRIMPED FERRULE HEX CRIMP SIZE .213" [5.41]
2. CRIMPED CONTACT PIN HEX CRIMP SIZE .100" [2.54]

Material Specifications

Cable(s): RG55,142,223,400
 Body: Brass
 Finish: White Bronze
 Insulation: Teflon
 Impedence: 50 Ohms



Federal Custom Cable
www.FCCable.com

CAGE CODE
1UKX3

Part Number:

Description:

C1087

**N MALE CONNECTOR CRIMP FOR RG55, RG142,
 RG223, RG400 CABLES**

1891 Alton Parkway, Irvine, CA 92606
 Phone: (949) 851-3114 | Fax: (949) 852-8136
Sales@FCCable.com

Dimensions
 Millimeters | Inches

Scale: N/A

Revision:

NOTES:
 1. DIMENSIONS ARE IN MILLIMETERS | INCHES
 2. UNLESS OTHERWISE SPECIFIED ALL DIMENSIONS ARE NOMINAL
 3. SPECIFICATIONS ARE SUBJECT TO CHANGE WITHOUT NOTICE

THIS DRAWING CONTAINS PROPRIETARY INFORMATION THAT BELONGS TO FEDERAL CUSTOM CABLE, LLC. ANY UNAUTHORIZED USE OF THIS DRAWING IS PROHIBITED WITHOUT WRITTEN PERMISSION FROM FEDERAL CUSTOM CABLE. ALL RIGHTS RESERVED. ©2016 COPYRIGHT FEDERAL CUSTOM CABLE, LLC.

RG223/U

50-Ohm Flexible Coax Cable; 0.210" Diameter, Double Shield, Black PVC Jacket



PART NUMBER:	RG223/U
CATAGORY:	FLEXIBLE
DESCRIPTION:	CABLE
IMPEDANCE:	50 OHMS
DIELECTRIC:	POLYETHYLENE
NOMINAL OUTSIDE DIAMETER:	0.212"
OUTSIDE DIAMETER:	0.116" DIAMETER
SPECIFICATIONS:	MIL-C-17D TYPE

PHYSICAL CHARACTERISTICS:

OUTER CONDUCTOR:	SILVER COATED COPPER DOUBLE BRAID
TYPE OF SHIELD:	99% COVERAGE
JACKET MATERIAL:	BLACK TYPE IIA NON-CONTAINING, NON-MIGRATING VINYL
INNER CONDUCTOR:	19 AWG SOLID SILVER PLATED COPPER, 8.8 OHM/1000FT NOMINAL DIRECT CURRENT RESISTANCE

ELECTRICAL CHARACTERISTICS:

NOMINAL CAPACITANCE (PICO FARAD/FT):	31.5
VELOCITY OF PROPAGATION:	66%
OPERATING TEMPERATURE (C):	-40 TO 80 DEGREES C
MAXIMUM OPERATING VOLTAGE:	1900 VOLTS
MAXIMUM ATTENUATION:	(dB/100ft)
A. 10 MHz:	1.35
B. 50 MHz:	3.00
C. 100 MHz:	4.30
D. 200 MHz:	6.00
E. 400 MHz:	8.80
F. 1000 MHz:	16.5
G. 3000 MHz:	36.0
APPROX WT/1000FT:	39 LBS.