


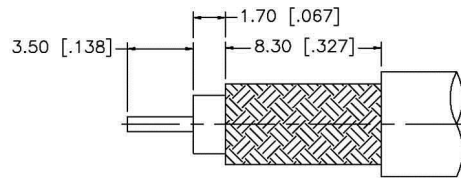
Material Specifications

Left Connector: C1137
 Right Connector: C1137
 Cable: RG142

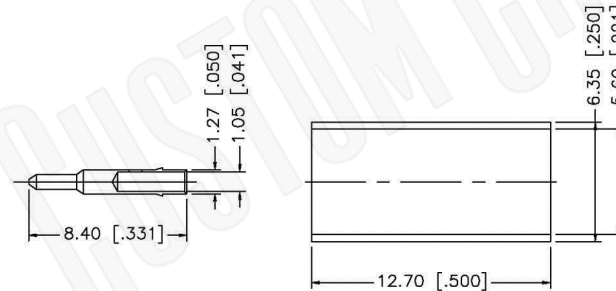
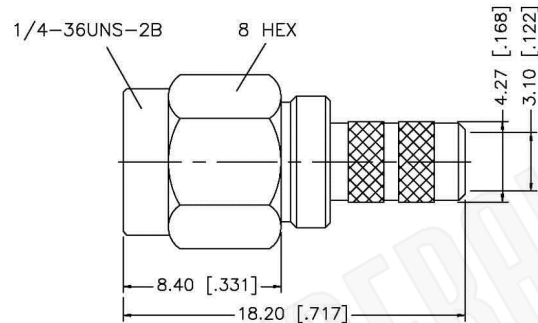
NOTES:

1. XX EQUALS LENGTH IN INCHES

| | | | |
|---|---|--|---|
|  Federal Custom Cable www.FCCable.com 1891 Alton Parkway, Irvine, CA 92606 Phone: (949) 851-3114 Fax: (949) 852-8136 Sales@FCCable.com | CAGE CODE 1UKX3 | Part Number: CA1517-XX | Description: SMA MALE TO SMA MALE COAX CABLE ASSEMBLY WITH RG142 FLEXIBLE CABLE |
| | Dimensions Millimeters Inches | | |
| | Scale: N/A | NOTES: 1. DIMENSIONS ARE IN MILLIMETERS INCHES 2. UNLESS OTHERWISE SPECIFIED ALL DIMENSIONS ARE NOMINAL 3. SPECIFICATIONS ARE SUBJECT TO CHANGE WITHOUT NOTICE | THIS DRAWING CONTAINS PROPRIETART INFORMATION THAT BELONGS TO FEDERAL CUSTOM CABLE, LLC. ANY UNAUTHORIZED USE OF THIS DRAWING IS PROHIBITED WITHOUT WRITTEN PERMISSION FROM FEDERAL CUSTOM CABLE. ALL RIGHTS RESERVED. ©2020 COPYRIGHT FEDERAL CUSTOM CABLE, LLC. |
| | Revision: | | |



RECOMMENDED CABLE STRIPPING DIMENSIONS



CRIMP NOTES:

1. CRIMPED FERRULE
HEX CRIMP SIZE .213"
2. SOLDER CENTER CONTACT

Material Specifications

Cable(s): RG55,142,223,400
 Body: Brass
 Finish: Gold
 Insulation: Teflon
 Impedence: 50 Ohms



| | | | | |
|--|---|--|--|--|
| Federal Custom Cable www.FCCable.com 1891 Alton Parkway, Irvine, CA 92606 Phone: (949) 851-3114 Fax: (949) 852-8136 Sales@FCCable.com | CAGE CODE 1UKX3 | Part Number: <h1>C1137</h1> | Description: <h2>SMA MALE CONNECTOR CRIMP FOR RG55, RG142, RG223, RG400 CABLES</h2> | |
| | Dimensions Millimeters Inches | | | |
| | Scale: N/A | NOTES: 1. DIMENSIONS ARE IN MILLIMETERS INCHES 2. UNLESS OTHERWISE SPECIFIED ALL DIMENSIONS ARE NOMINAL 3. SPECIFICATIONS ARE SUBJECT TO CHANGE WITHOUT NOTICE | THIS DRAWING CONTAINS PROPRIETARY INFORMATION THAT BELONGS TO FEDERAL CUSTOM CABLE, LLC. ANY UNAUTHORIZED USE OF THIS DRAWING IS PROHIBITED WITHOUT WRITTEN PERMISSION FROM FEDERAL CUSTOM CABLE. ALL RIGHTS RESERVED. ©2016 COPYRIGHT FEDERAL CUSTOM CABLE, LLC. | |
| | Revision: | | | |

RG142B/U

50-Ohm Flexible Coax Cable; 0.195" Diameter, Single Shield, Tan FEP Jacket



| | |
|----------------------|-----------------|
| PART NUMBER: | RG142B/U |
| CATAGORY: | FLEXIBLE |
| DESCRIPTION: | CABLE |
| IMPEDANCE: | 50 OHMS |
| DIELECTRIC: | TEFLON |
| OVERALL DIAMETER: | 0.195" |
| DIELECTRIC DIAMETER: | 0.116" |

PHYSICAL CHARACTERISTICS:

| | |
|------------------------|---|
| SHIELD: | DOUBLE BRAID SILVER PLATED COPPER |
| JACKET: | FLUORINATED ETHYLENE PROPYLENE |
| OPERATING TEMPERATURE: | -55 C TO +200 C |
| WEIGHT: | 43 LBS/1000FT |
| CENTER CONDUCTOR: | 0.037" DIAMETER (SILVER PLATED COPPER-CLAD STEEL) |

ELECTRICAL CHARACTERISTICS:

| | |
|----------------------------|----------------|
| CAPACITANCE: | 29.4 PFARAD/FT |
| MAXIMUM OPERATING VOLTAGE: | 1900 VRMS |
| MAXIMUM ATTENUATION: | (dB/100ft) |
| A. 100 MHz: | 5.5 |
| B. 400 MHz: | 11.7 |
| C. 1 GHz: | 19.0 |
| D. 3 GHz: | 35.0 |
| E. 5 GHz: | 48.0 |
| MAXIMUM FREQUENCY (GHz): | 12.4 |
| MAXIMUM POWER: | |
| A. 400 MHz: | 110 |
| B. 1 GHz: | 550 |
| C. 3 GHz: | 350 |
| D. 5 GHz: | 245 |
| E. 10 GHz: | 140 |