


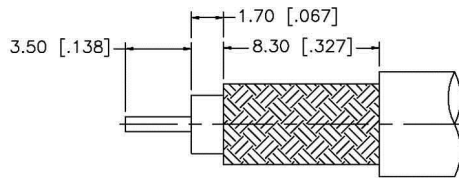
**Material Specifications**

Left Connector: C1137  
 Right Connector: C1137  
 Cable: RG142LL

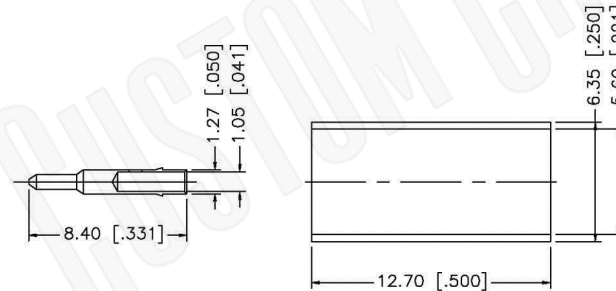
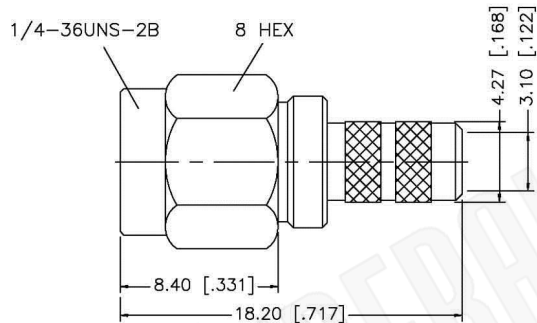
**NOTES:**

1. XX EQUALS LENGTH IN INCHES
2. LF DESIGNATES LEAD FREE SOLDER

 <b>Federal Custom Cable</b> www.FCCable.com  1891 Alton Parkway, Irvine, CA 92606 Phone: (949) 851-3114   Fax: (949) 852-8136 Sales@FCCable.com	CAGE CODE 1UKX3	Part Number: <b>CA1518LF-XX</b>	Description: <b>SMA MALE TO SMA MALE COAX CABLE ASSEMBLY WITH RG142LL FLEXIBLE LOW LOSS CABLE ROHS LEAD FREE</b>
	Dimensions Millimeters   Inches		
	Scale: N/A	NOTES: 1. DIMENSIONS ARE IN MILLIMETERS   INCHES 2. UNLESS OTHERWISE SPECIFIED ALL DIMENSIONS ARE NOMINAL 3. SPECIFICATIONS ARE SUBJECT TO CHANGE WITHOUT NOTICE	THIS DRAWING CONTAINS PROPRIETART INFORMATION THAT BELONGS TO FEDERAL CUSTOM CABLE, LLC. ANY UNAUTHORIZED USE OF THIS DRAWING IS PROHIBITED WITHOUT WRITTEN PERMISSION FROM FEDERAL CUSTOM CABLE. ALL RIGHTS RESERVED. ©2020 COPYRIGHT FEDERAL CUSTOM CABLE, LLC.
	Revision:		



RECOMMENDED CABLE STRIPPING DIMENSIONS



CRIMP NOTES:

1. CRIMPED FERRULE  
HEX CRIMP SIZE .213"
2. SOLDER CENTER CONTACT

Material Specifications

Cable(s): RG55,142,223,400  
 Body: Brass  
 Finish: Gold  
 Insulation: Teflon  
 Impedence: 50 Ohms



**Federal Custom Cable**  
[www.FCCable.com](http://www.FCCable.com)

CAGE CODE  
1UKX3

Part Number:

Description:

**C1137**

**SMA MALE CONNECTOR CRIMP FOR RG55, RG142,  
 RG223, RG400 CABLES**

Dimensions  
Millimeters | Inches

Scale: N/A

Revision:

NOTES:  
 1. DIMENSIONS ARE IN MILLIMETERS | INCHES  
 2. UNLESS OTHERWISE SPECIFIED ALL DIMENSIONS ARE NOMINAL  
 3. SPECIFICATIONS ARE SUBJECT TO CHANGE WITHOUT NOTICE

THIS DRAWING CONTAINS PROPRIETARY INFORMATION THAT BELONGS TO FEDERAL CUSTOM CABLE, LLC. ANY UNAUTHORIZED USE OF THIS DRAWING IS PROHIBITED WITHOUT WRITTEN PERMISSION FROM FEDERAL CUSTOM CABLE. ALL RIGHTS RESERVED. ©2016 COPYRIGHT FEDERAL CUSTOM CABLE, LLC.

1891 Alton Parkway, Irvine, CA 92606  
 Phone: (949) 851-3114 | Fax: (949) 852-8136

[Sales@FCCable.com](mailto:Sales@FCCable.com)

# RG142LL

## 50-Ohm Flexible Coax Cable; 0.098" Diameter, Triple Shield, Translucent FEP Jacket



PART NUMBER:	<b>RG142LL</b>
CATAGORY:	LOW LOSS
DESCRIPTION:	CABLE
IMPEDANCE:	50 OHMS
DIELECTRIC:	EXPANDED TEFLON
OVERALL DIAMETER:	0.195"
DIELECTRIC DIAMETER:	0.1175"

### PHYSICAL CHARACTERISTICS:

INNER BRAID:	0.128" DIAMETER (FLAT SILVER PLATED COPPER STRIP)
INTERLAYER:	0.133" DIAMETER (ALUMINUM KAPTON TAPE)
OUTER BRAID:	0.152" DIAMETER (ROUND WIRE SILVER PLATED COPPER)
CENTER CONDUCTOR:	0.037" DIAMETER (SILVER PLATED COPPER CLAD STEEL)
JACKET:	FLUORINATED ETHYLENE PROPYLENE
OPERATING TEMPERATURE:	-55 C TO +200 C
WEIGHT:	40 LBS/1000FT

### ELECTRICAL CHARACTERISTICS:

CAPACITANCE:	29.4 PFARAD/FT
VELOCITY OF PROPAGATION:	69.4%
MAXIMUM OPERATING VOLTAGE:	

MAXIMUM ATTENUATION:	(dB/100FT)
A. 400 MHz:	7.8
B. 1 GHz:	12.7
C. 3 GHz:	23.3
D. 5 GHz:	31.6
E. 10 GHz:	47.5
F. 18 GHz:	68.2
CUT-OFF FREQUENCY (GHz):	34.2
MAXIMUM POWER:	
A. 400 MHz:	1100
B. 1 GHz:	550
C. 3 GHz:	350
D. 5 GHz:	245
E. 10 GHz:	140