


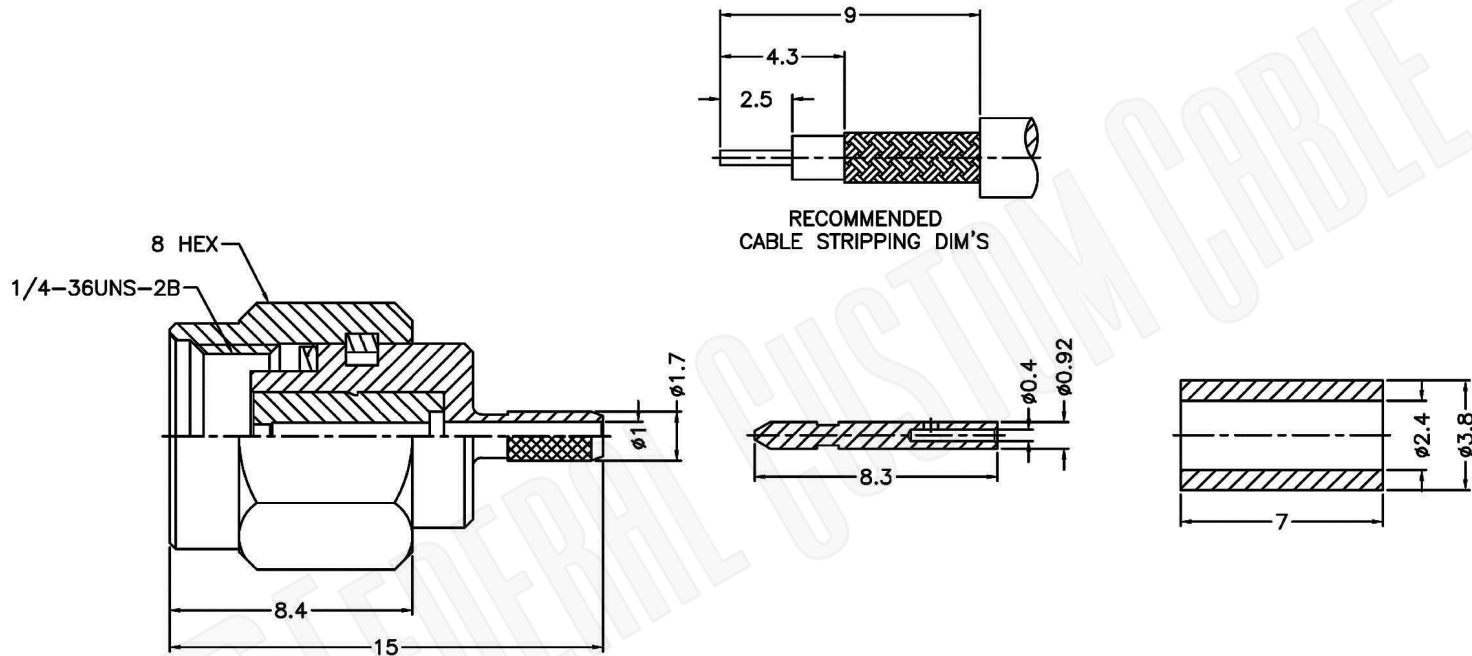
**Material Specifications**

Left Connector: C1133  
 Right Connector: C1133  
 Cable: RG178

**NOTES:**

1. XX DESIGNATES LENGTH IN INCHES PIN TO PIN
2. LF DESIGNATES LEAD FREE SOLDER

|   |                                    |   |   |
|---|------------------------------------|---|---|
|  <b>Federal Custom Cable</b><br>www.FCCable.com<br><br>1891 Alton Parkway, Irvine, CA 92606<br>Phone: (949) 851-3114   Fax: (949) 852-8136<br>Sales@FCCable.com | CAGE CODE<br>1UKX3                 | Part Number:<br><b>CA1520LF-XX</b>  | Description:<br><b>SMA MALE TO SMA MALE LEAD FREE SOLDER FOR RG178</b>  |
|   | Dimensions<br>Millimeters   Inches |   |   |
|   | Scale: N/A                         | NOTES:<br>1. DIMENSIONS ARE IN MILLIMETERS   INCHES<br>2. UNLESS OTHERWISE SPECIFIED ALL DIMENSIONS ARE NOMINAL<br>3. SPECIFICATIONS ARE SUBJECT TO CHANGE WITHOUT NOTICE | THIS DRAWING CONTAINS PROPRIETARY INFORMATION THAT BELONGS TO FEDERAL CUSTOM CABLE, LLC. ANY UNAUTHORIZED USE OF THIS DRAWING IS PROHIBITED WITHOUT WRITTEN PERMISSION FROM FEDERAL CUSTOM CABLE. ALL RIGHTS RESERVED. ©2016 COPYRIGHT FEDERAL CUSTOM CABLE, LLC. |
|   | Revision:                          |   |   |



1. CRIMPED FERRULE  
HEX CRIMP SIZE .128"

**Material Specifications**

Cable(s): RG178/196  
 Body: Brass  
 Finish: Gold  
 Insulation: Teflon  
 Impedence: 50 Ohms



**FCC Federal Custom Cable**  
[www.FCCable.com](http://www.FCCable.com)  
 1891 Alton Parkway, Irvine, CA 92606  
 Phone: (949) 851-3114 | Fax: (949) 852-8136  
[Sales@FCCable.com](mailto:Sales@FCCable.com)

|   |                                  |   |
|---|----------------------------------|---|
| CAGE CODE<br>1UKX3  | Part Number:<br><br><b>C1133</b> | Description:<br><br><b>SMA MALE CONNECTOR CRIMP FOR RG178, RG196 CABLES</b>   |
| Dimensions<br>Millimeters   Inches  | Scale: N/A                       | Revision:   |
| NOTES:<br>1. DIMENSIONS ARE IN MILLIMETERS   INCHES<br>2. UNLESS OTHERWISE SPECIFIED ALL DIMENSIONS ARE NOMINAL<br>3. SPECIFICATIONS ARE SUBJECT TO CHANGE WITHOUT NOTICE |                                  | THIS DRAWING CONTAINS PROPRIETARY INFORMATION THAT BELONGS TO FEDERAL CUSTOM CABLE, LLC. ANY UNAUTHORIZED USE OF THIS DRAWING IS PROHIBITED WITHOUT WRITTEN PERMISSION FROM FEDERAL CUSTOM CABLE. ALL RIGHTS RESERVED. ©2016 COPYRIGHT FEDERAL CUSTOM CABLE, LLC. |

# RG178B/U

## 50-Ohm Flexible Coax Cable; 0.072" Diameter, Single Shield, Tan FEP Jacket



|                      |                 |
|----------------------|-----------------|
| PART NUMBER:         | <b>RG178B/U</b> |
| CATAGORY:            | FLEXIBLE        |
| DESCRIPTION:         | CABLE           |
| IMPEDANCE:           | 50 OHMS +/-2    |
| DIELECTRIC:          | EXPANDED TEFLON |
| OVERALL DIAMETER:    | 0.071"          |
| DIELECTRIC DIAMETER: | 0.033"          |

### PHYSICAL CHARACTERISTICS:

|                        |  |
|------------------------|--|
| WEIGHT:                | 6.3 LBS/1000FT                                       |
| OPERATING TEMPERATURE: | -55 C TO +200 C                                      |
| JACKET:                | FLUORINATED ETHYLENE PROPYLENE                       |
| SHIELD:                | SILVER PLATED COPPER                                 |
| TEMPERATURE:           | 0.0120" DIAMETER (7/0.004") SILVER COPPER CLAD STEEL |

### ELECTRICAL CHARACTERISTICS:

|                                 |                |
|---------------------------------|----------------|
| CAPACITANCE:                    | 29.4 PFARAD/FT |
| MAXIMUM OPERATING VOLTAGE:      | 1000 VRMS      |
| MAXIMUM ATTENUATION (dB/100ft): |                |
| A. 100 MHz:                     | 16.0           |
| B. 400 MHz:                     | 33.0           |
| C. 1 GHz:                       | 52.0           |
| D. 3 GHz:                       | 94.0           |
| E. 5 GHz:                       | N/A            |
| F. 10 GHz:                      | N/A            |
| MAXIMUM FREQUENCY:              | 3.0            |
| MAXIMUM POWER:                  |                |
| A. 400 MHz:                     | 123            |
| B. 1 GHz:                       | 78             |
| C. 3 GHz:                       | 41             |
| D. 5 GHz:                       | 28             |
| E. 10 GHz:                      | 14             |