


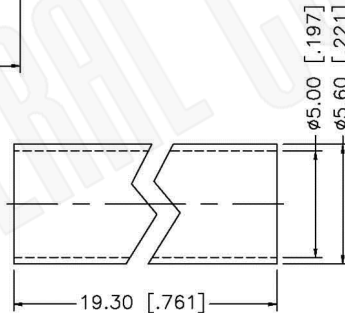
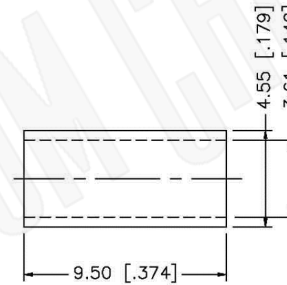
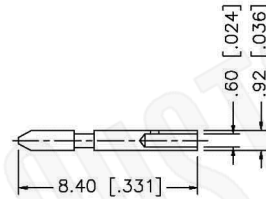
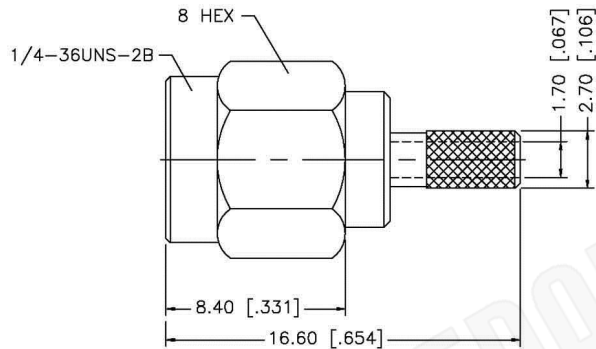
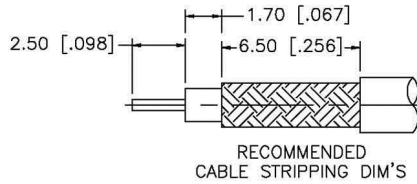
Material Specifications

Left Connector: C1135
 Right Connector: C1149
 Cable: RG316DS

NOTES:

1. XX EQUALS LENGTH IN INCHES

 Federal Custom Cable www.FCCable.com 1891 Alton Parkway, Irvine, CA 92606 Phone: (949) 851-3114 Fax: (949) 852-8136 Sales@FCCable.com	CAGE CODE 1UKX3	Part Number: CA1553LF-XX	Description: SMA MALE TO SMA MALE RIGHT ANGLE COAX CABLE ASSEMBLY WITH RG316DS FLEXIBLE CABLE ROHS LEAD FREE
	Dimensions Millimeters Inches		
	Scale: N/A	NOTES: 1. DIMENSIONS ARE IN MILLIMETERS INCHES 2. UNLESS OTHERWISE SPECIFIED ALL DIMENSIONS ARE NOMINAL 3. SPECIFICATIONS ARE SUBJECT TO CHANGE WITHOUT NOTICE	THIS DRAWING CONTAINS PROPRIETART INFORMATION THAT BELONGS TO FEDERAL CUSTOM CABLE, LLC. ANY UNAUTHORIZED USE OF THIS DRAWING IS PROHIBITED WITHOUT WRITTEN PERMISSION FROM FEDERAL CUSTOM CABLE. ALL RIGHTS RESERVED. ©2020 COPYRIGHT FEDERAL CUSTOM CABLE, LLC.
	Revision:		



NOTE:

1. CRIMPED FERRULE
HEX CRIMP SIZE .151"
2. CONTACT PIN TO SOLDER

Material Specifications

Cable(s): RG316, U-DOUBLE BRAIDED
 Body: Brass
 Finish: Gold
 Insulation: Teflon
 Impedence: 50 Ohms



Federal Custom Cable
www.FCCable.com

CAGE CODE
 1UKX3

Part Number:

Description:

C1135

**SMA MALE CONNECTOR CRIMP FOR RG188DS,
 RG316DS CABLES**

Dimensions
 Millimeters | Inches

Scale: N/A

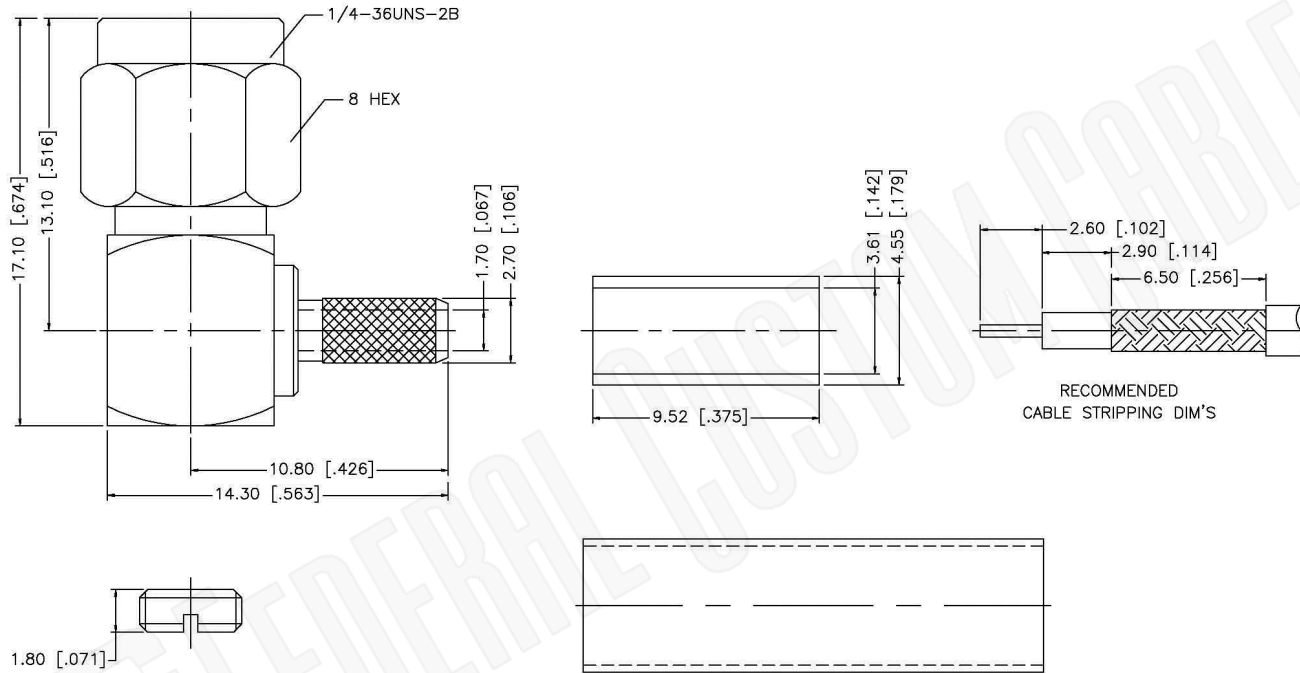
Revision:

NOTES:
 1. DIMENSIONS ARE IN MILLIMETERS | INCHES
 2. UNLESS OTHERWISE SPECIFIED ALL DIMENSIONS ARE NOMINAL
 3. SPECIFICATIONS ARE SUBJECT TO CHANGE WITHOUT NOTICE

THIS DRAWING CONTAINS PROPRIETARY INFORMATION THAT BELONGS TO FEDERAL CUSTOM CABLE, LLC. ANY UNAUTHORIZED USE OF THIS DRAWING IS PROHIBITED WITHOUT WRITTEN PERMISSION FROM FEDERAL CUSTOM CABLE. ALL RIGHTS RESERVED. ©2016 COPYRIGHT FEDERAL CUSTOM CABLE, LLC.

1891 Alton Parkway, Irvine, CA 92606
 Phone: (949) 851-3114 | Fax: (949) 852-8136

Sales@FCCable.com



- NOTE:
1. CRIMPED FERRULE
HEX CRIMP SIZE .151"
 2. CONTACT PIN TO SOLDER

Material Specifications

Cable(s): RG316, U-DOUBLE BRAIDED
 Body: Brass
 Finish: Gold
 Insulation: Teflon
 Impedence: 50 Ohms



FCC Federal Custom Cable
www.FCCable.com
 1891 Alton Parkway, Irvine, CA 92606
 Phone: (949) 851-3114 | Fax: (949) 852-8136
Sales@FCCable.com

CAGE CODE 1UKX3 Dimensions Millimeters Inches Scale: N/A Revision:	Part Number: <h1>C1149</h1>	Description: <h2>SMA MALE CONNECTOR RIGHT ANGLE CRIMP FOR RG188DS, RG316DS CABLES</h2>
	NOTES: 1. DIMENSIONS ARE IN MILLIMETERS INCHES 2. UNLESS OTHERWISE SPECIFIED ALL DIMENSIONS ARE NOMINAL 3. SPECIFICATIONS ARE SUBJECT TO CHANGE WITHOUT NOTICE	THIS DRAWING CONTAINS PROPRIETARY INFORMATION THAT BELONGS TO FEDERAL CUSTOM CABLE, LLC. ANY UNAUTHORIZED USE OF THIS DRAWING IS PROHIBITED WITHOUT WRITTEN PERMISSION FROM FEDERAL CUSTOM CABLE. ALL RIGHTS RESERVED. ©2016 COPYRIGHT FEDERAL CUSTOM CABLE, LLC.

RG316-DS

50-Ohm Flexible Coax Cable; 0.114" Diameter, Double Shield, Tan FEP Jacket



PART NUMBER:	RG316-DS
CATAGORY:	FLEXIBLE
DESCRIPTION:	CABLE
IMPEDANCE:	50 OHMS +/-2
DIELECTRIC:	EXTRUDED TEFLON
OVERALL DIAMETER:	0.114"
DIELECTRIC DIAMETER:	0.060"

DIMENSIONS:

CENTER CONDUCTOR:	0.020" DIAMETER (7/0.0067") SPCW
OPERATING TEMPERATURE:	-55 C TO +200 C
WEIGHT PER 1000 FT:	18.5 LBS.
MINIMUM BEND RADUIS:	0.57"
BRAID #1:	38 AWG SILVER PLATED COPPER, 95% COVERAGE, 0.076" OUTSIDE DIAMETER
BRAID #2:	38 AWG SILVER PLATED COPPER, 95% COVERAGE, 0.096" OUTSIDE DIAMETER

ELECTRICAL CHARACTERISTICS:

CAPACITANCE:	32.0 PFARAD/FT
VELOCITY OF PROPAGATION:	69.5% NOM.
TIME DELAY:	1.50 NS MAX.
CUT-OFF FREQUENCY:	65 GHz

MAXIMUM ATTENUATION:	(dB/100ft)
A. 50 MHz:	0.75
B. 500 MHz:	26.0
C. 1 GHz:	40.0
D. 3 GHz:	75.0
E. 10 GHz:	170.0
F. 12.4 GHz:	200.0

MAXIMUM POWER:	
A. 400 MHz:	240
B. 1 GHz:	160
C. 3 GHz:	80
D. 5 GHz:	57
E. 10 GHz:	30