


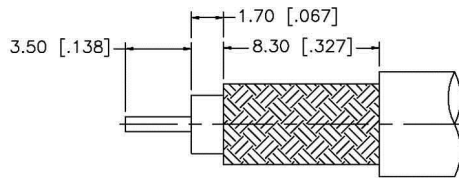
Material Specifications

Left Connector: C1137
 Right Connector: C1161
 Cable: RG142

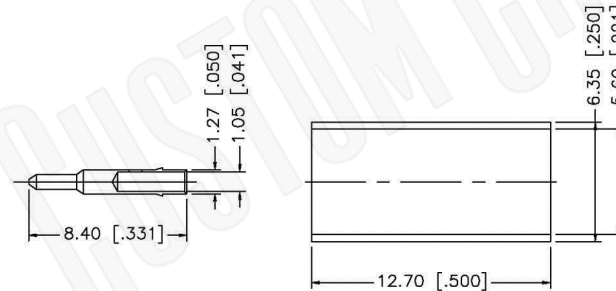
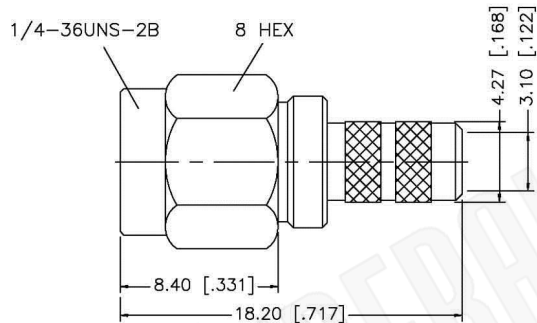
NOTES:

1. XX EQUALS LENGTH IN INCHES
2. LF DESIGNATES LEAD FREE SOLDER

| | | | |
|---|------------------------------------|---|---|
|  Federal Custom Cable www.FCCable.com 1891 Alton Parkway, Irvine, CA 92606 Phone: (949) 851-3114 Fax: (949) 852-8136 Sales@FCCable.com | CAGE CODE 1UKX3 | Part Number: CA1565LF-XX | Description: SMA MALE TO SMB PLUG COAX CABLE ASSEMBLY WITH RG142 FLEXIBLE CABLE ROHS LEAD FREE |
| | Dimensions Millimeters Inches | | |
| | Scale: N/A | NOTES: 1. DIMENSIONS ARE IN MILLIMETERS INCHES 2. UNLESS OTHERWISE SPECIFIED ALL DIMENSIONS ARE NOMINAL 3. SPECIFICATIONS ARE SUBJECT TO CHANGE WITHOUT NOTICE | THIS DRAWING CONTAINS PROPRIETARY INFORMATION THAT BELONGS TO FEDERAL CUSTOM CABLE, LLC. ANY UNAUTHORIZED USE OF THIS DRAWING IS PROHIBITED WITHOUT WRITTEN PERMISSION FROM FEDERAL CUSTOM CABLE. ALL RIGHTS RESERVED. ©2016 COPYRIGHT FEDERAL CUSTOM CABLE, LLC. |
| | Revision: | | |



RECOMMENDED CABLE STRIPPING DIMENSIONS



CRIMP NOTES:

1. CRIMPED FERRULE
HEX CRIMP SIZE .213"
2. SOLDER CENTER CONTACT

Material Specifications

Cable(s): RG55,142,223,400
 Body: Brass
 Finish: Gold
 Insulation: Teflon
 Impedence: 50 Ohms



Federal Custom Cable
www.FCCable.com

CAGE CODE
1UKX3

Part Number:

Description:

C1137

SMA MALE CONNECTOR CRIMP FOR RG55, RG142, RG223, RG400 CABLES

Dimensions
Millimeters | Inches

Scale: N/A

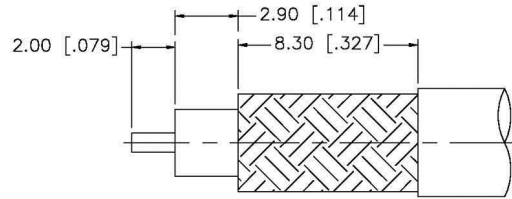
Revision:

NOTES:
 1. DIMENSIONS ARE IN MILLIMETERS | INCHES
 2. UNLESS OTHERWISE SPECIFIED ALL DIMENSIONS ARE NOMINAL
 3. SPECIFICATIONS ARE SUBJECT TO CHANGE WITHOUT NOTICE

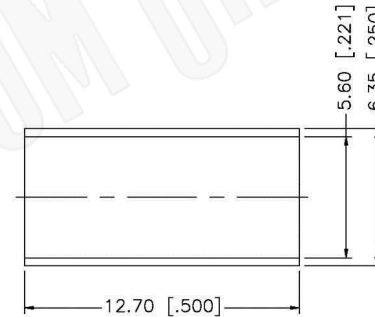
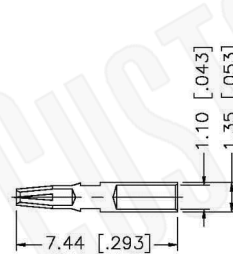
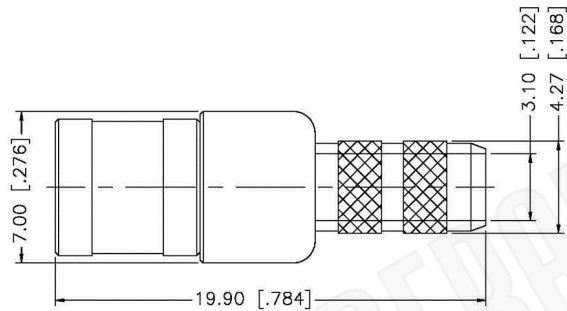
THIS DRAWING CONTAINS PROPRIETARY INFORMATION THAT BELONGS TO FEDERAL CUSTOM CABLE, LLC. ANY UNAUTHORIZED USE OF THIS DRAWING IS PROHIBITED WITHOUT WRITTEN PERMISSION FROM FEDERAL CUSTOM CABLE. ALL RIGHTS RESERVED. ©2016 COPYRIGHT FEDERAL CUSTOM CABLE, LLC.

1891 Alton Parkway, Irvine, CA 92606
 Phone: (949) 851-3114 | Fax: (949) 852-8136

Sales@FCCable.com



RECOMMENDED
CABLE STRIPPING DIM'S



NOTE:

1. CRIMPED FERRULE
HEX CRIMP SIZE .213"

Material Specifications

Cable(s): RG55,142,223,400
 Body: Brass
 Finish: Gold
 Insulation: Teflon
 Impedence: 50 Ohms



Federal Custom Cable
www.FCCable.com

CAGE CODE
1UKX3

Part Number:

Description:

C1161

**SMB PLUG CONNECTOR CRIMP FOR RG55, RG142,
RG223, RG400 CABLES**

Dimensions
Millimeters | Inches

Scale: N/A

Revision:

NOTES:
 1. DIMENSIONS ARE IN MILLIMETERS | INCHES
 2. UNLESS OTHERWISE SPECIFIED ALL DIMENSIONS ARE NOMINAL
 3. SPECIFICATIONS ARE SUBJECT TO CHANGE WITHOUT NOTICE

THIS DRAWING CONTAINS PROPRIETARY INFORMATION THAT BELONGS TO FEDERAL CUSTOM CABLE, LLC. ANY UNAUTHORIZED USE OF THIS DRAWING IS PROHIBITED WITHOUT WRITTEN PERMISSION FROM FEDERAL CUSTOM CABLE. ALL RIGHTS RESERVED. ©2016 COPYRIGHT FEDERAL CUSTOM CABLE, LLC.

1891 Alton Parkway, Irvine, CA 92606
 Phone: (949) 851-3114 | Fax: (949) 852-8136

Sales@FCCable.com

RG142B/U

50-Ohm Flexible Coax Cable; 0.195" Diameter, Single Shield, Tan FEP Jacket



| | |
|----------------------|-----------------|
| PART NUMBER: | RG142B/U |
| CATAGORY: | FLEXIBLE |
| DESCRIPTION: | CABLE |
| IMPEDANCE: | 50 OHMS |
| DIELECTRIC: | TEFLON |
| OVERALL DIAMETER: | 0.195" |
| DIELECTRIC DIAMETER: | 0.116" |

PHYSICAL CHARACTERISTICS:

| | |
|------------------------|---|
| SHIELD: | DOUBLE BRAID SILVER PLATED COPPER |
| JACKET: | FLUORINATED ETHYLENE PROPYLENE |
| OPERATING TEMPERATURE: | -55 C TO +200 C |
| WEIGHT: | 43 LBS/1000FT |
| CENTER CONDUCTOR: | 0.037" DIAMETER (SILVER PLATED COPPER-CLAD STEEL) |

ELECTRICAL CHARACTERISTICS:

| | |
|----------------------------|----------------|
| CAPACITANCE: | 29.4 PFARAD/FT |
| MAXIMUM OPERATING VOLTAGE: | 1900 VRMS |
| MAXIMUM ATTENUATION: | (dB/100ft) |
| A. 100 MHz: | 5.5 |
| B. 400 MHz: | 11.7 |
| C. 1 GHz: | 19.0 |
| D. 3 GHz: | 35.0 |
| E. 5 GHz: | 48.0 |
| MAXIMUM FREQUENCY (GHz): | 12.4 |
| MAXIMUM POWER: | |
| A. 400 MHz: | 110 |
| B. 1 GHz: | 550 |
| C. 3 GHz: | 350 |
| D. 5 GHz: | 245 |
| E. 10 GHz: | 140 |