

Material Specifications

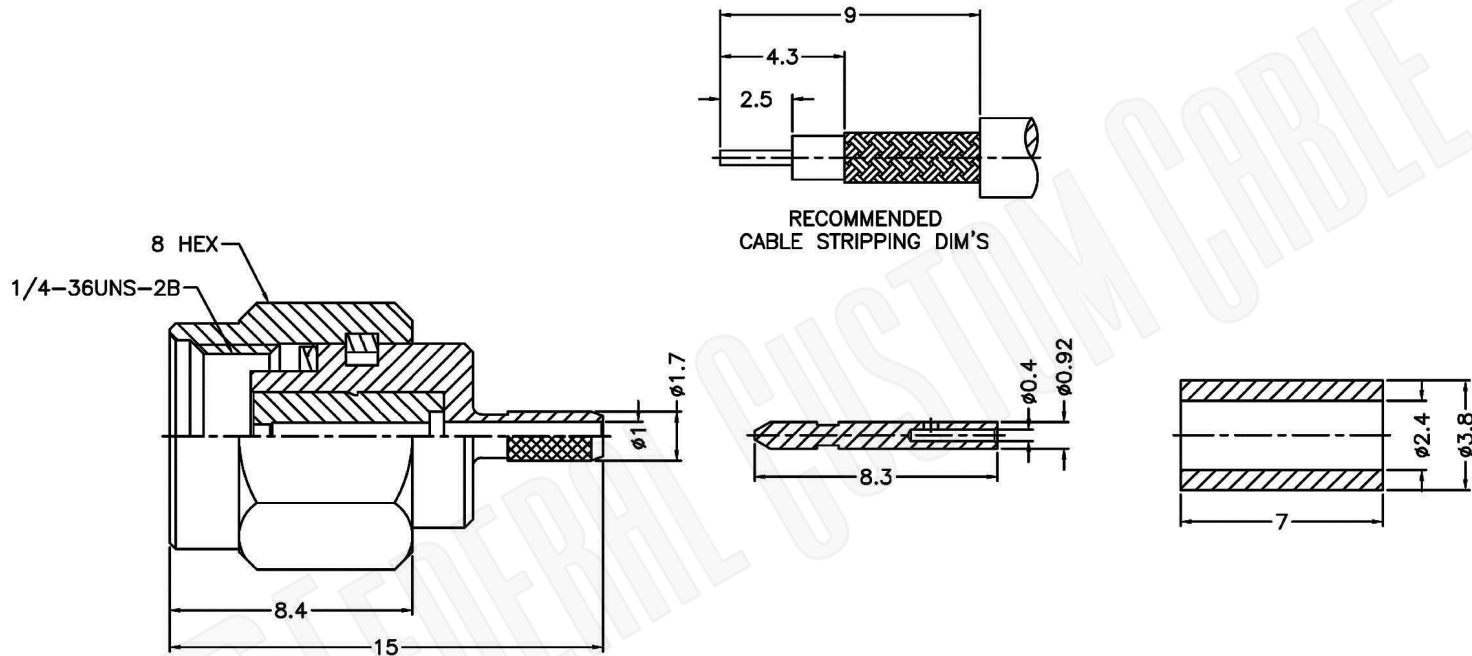
Left Connector: C1133
 Right Connector: C1160
 Cable: RG178

NOTES:

1. XX EQUALS LENGTH IN INCHES

FCC Federal Custom Cable
 www.FCCable.com
 1891 Alton Parkway, Irvine, CA 92606
 Phone: (949) 851-3114 | Fax: (949) 852-8136
 Sales@FCCable.com

CAGE CODE 1UKX3	Part Number: CA1567-XX	Description: SMA MALE TO SMB PLUG COAX CABLE ASSEMBLY WITH RG178 FLEXIBLE CABLE
Scale: N/A	NOTES: 1. DIMENSIONS ARE IN MILLIMETERS INCHES 2. UNLESS OTHERWISE SPECIFIED ALL DIMENSIONS ARE NOMINAL 3. SPECIFICATIONS ARE SUBJECT TO CHANGE WITHOUT NOTICE	THIS DRAWING CONTAINS PROPRIETARY INFORMATION THAT BELONGS TO FEDERAL CUSTOM CABLE, LLC. ANY UNAUTHORIZED USE OF THIS DRAWING IS PROHIBITED WITHOUT WRITTEN PERMISSION FROM FEDERAL CUSTOM CABLE. ALL RIGHTS RESERVED. ©2020 COPYRIGHT FEDERAL CUSTOM CABLE, LLC.
Revision:		



Material Specifications

Cable(s): RG178/196
 Body: Brass
 Finish: Gold
 Insulation: Teflon
 Impedence: 50 Ohms

1. CRIMPED FERRULE
 HEX CRIMP SIZE .128"



FCC Federal Custom Cable
www.FCCable.com

CAGE CODE
 1UKX3

Part Number:

Description:

C1133

**SMA MALE CONNECTOR CRIMP FOR RG178, RG196
 CABLES**

Dimensions
 Millimeters | Inches

Scale: N/A

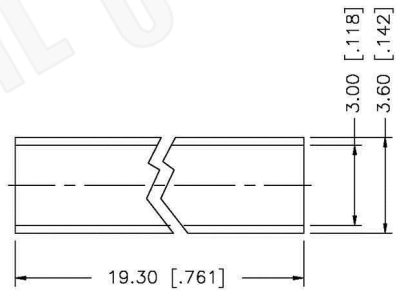
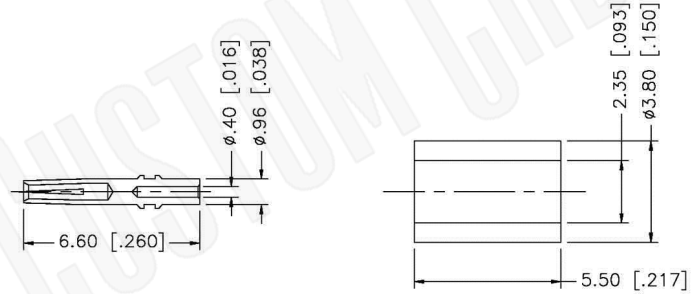
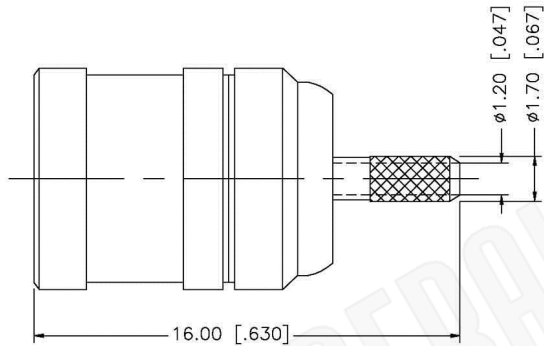
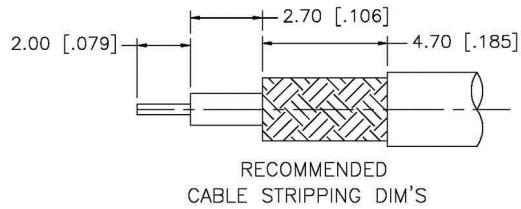
Revision:

NOTES:
 1. DIMENSIONS ARE IN MILLIMETERS | INCHES
 2. UNLESS OTHERWISE SPECIFIED ALL DIMENSIONS ARE NOMINAL
 3. SPECIFICATIONS ARE SUBJECT TO CHANGE WITHOUT NOTICE

THIS DRAWING CONTAINS PROPRIETARY INFORMATION THAT BELONGS TO FEDERAL CUSTOM CABLE, LLC. ANY UNAUTHORIZED USE OF THIS DRAWING IS PROHIBITED WITHOUT WRITTEN PERMISSION FROM FEDERAL CUSTOM CABLE. ALL RIGHTS RESERVED. ©2016 COPYRIGHT FEDERAL CUSTOM CABLE, LLC.

1891 Alton Parkway, Irvine, CA 92606
 Phone: (949) 851-3114 | Fax: (949) 852-8136

Sales@FCCable.com



Material Specifications

Cable(s): RG178/196
 Body: Brass
 Finish: Gold
 Insulation: Teflon
 Impedence: 50 Ohms



Federal Custom Cable
www.FCCable.com

1891 Alton Parkway, Irvine, CA 92606
 Phone: (949) 851-3114 | Fax: (949) 852-8136

Sales@FCCable.com

CAGE CODE
1UKX3

Dimensions
Millimeters | Inches

Scale: N/A

Revision:

Part Number:

C1160

Description:

**SMB PLUG CONNECTOR CRIMP FOR RG178, RG196
CABLES**

NOTES:
 1. DIMENSIONS ARE IN MILLIMETERS | INCHES
 2. UNLESS OTHERWISE SPECIFIED ALL DIMENSIONS ARE NOMINAL
 3. SPECIFICATIONS ARE SUBJECT TO CHANGE WITHOUT NOTICE

THIS DRAWING CONTAINS PROPRIETARY INFORMATION THAT BELONGS TO FEDERAL CUSTOM CABLE, LLC. ANY UNAUTHORIZED USE OF THIS DRAWING IS PROHIBITED WITHOUT WRITTEN PERMISSION FROM FEDERAL CUSTOM CABLE.
 ALL RIGHTS RESERVED. ©2016 COPYRIGHT FEDERAL CUSTOM CABLE, LLC.

RG178B/U

50-Ohm Flexible Coax Cable; 0.072" Diameter, Single Shield, Tan FEP Jacket



PART NUMBER:	RG178B/U
CATAGORY:	FLEXIBLE
DESCRIPTION:	CABLE
IMPEDANCE:	50 OHMS +/-2
DIELECTRIC:	EXPANDED TEFLON
OVERALL DIAMETER:	0.071"
DIELECTRIC DIAMETER:	0.033"

PHYSICAL CHARACTERISTICS:

WEIGHT:	6.3 LBS/1000FT
OPERATING TEMPERATURE:	-55 C TO +200 C
JACKET:	FLUORINATED ETHYLENE PROPYLENE
SHIELD:	SILVER PLATED COPPER
TEMPERATURE:	0.0120" DIAMETER (7/0.004") SILVER COPPER CLAD STEEL

ELECTRICAL CHARACTERISTICS:

CAPACITANCE:	29.4 PFARAD/FT
MAXIMUM OPERATING VOLTAGE:	1000 VRMS
MAXIMUM ATTENUATION (dB/100ft):	
A. 100 MHz:	16.0
B. 400 MHz:	33.0
C. 1 GHz:	52.0
D. 3 GHz:	94.0
E. 5 GHz:	N/A
F. 10 GHz:	N/A
MAXIMUM FREQUENCY:	3.0
MAXIMUM POWER:	
A. 400 MHz:	123
B. 1 GHz:	78
C. 3 GHz:	41
D. 5 GHz:	28
E. 10 GHz:	14