


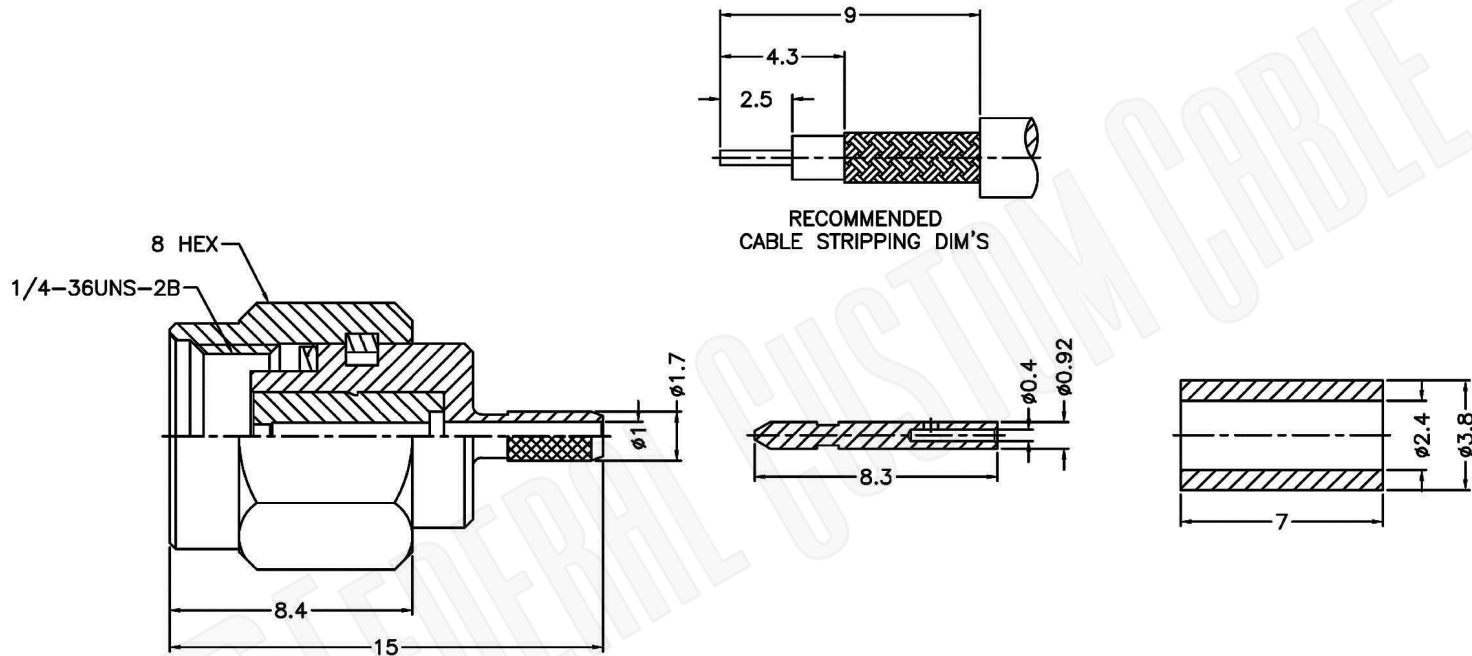
Material Specifications

Left Connector: C1133
 Right Connector: C1160
 Cable: RG178

NOTES:

1. XX EQUALS LENGTH IN INCHES
2. LF DESIGNATES LEAD FREE SOLDER

| | | | |
|---|------------------------------------|---|---|
|  Federal Custom Cable www.FCCable.com 1891 Alton Parkway, Irvine, CA 92606 Phone: (949) 851-3114 Fax: (949) 852-8136 Sales@FCCable.com | CAGE CODE 1UKX3 | Part Number: CA1567LF-XX | Description: SMA MALE TO SMB PLUG COAX CABLE ASSEMBLY WITH RG178 FLEXIBLE CABLE ROHS LEAD FREE |
| | Dimensions Millimeters Inches | | |
| | Scale: N/A | NOTES: 1. DIMENSIONS ARE IN MILLIMETERS INCHES 2. UNLESS OTHERWISE SPECIFIED ALL DIMENSIONS ARE NOMINAL 3. SPECIFICATIONS ARE SUBJECT TO CHANGE WITHOUT NOTICE | THIS DRAWING CONTAINS PROPRIETART INFORMATION THAT BELONGS TO FEDERAL CUSTOM CABLE, LLC. ANY UNAUTHORIZED USE OF THIS DRAWING IS PROHIBITED WITHOUT WRITTEN PERMISSION FROM FEDERAL CUSTOM CABLE. ALL RIGHTS RESERVED. ©2020 COPYRIGHT FEDERAL CUSTOM CABLE, LLC. |
| | Revision: | | |



1. CRIMPED FERRULE
HEX CRIMP SIZE .128"

Material Specifications

Cable(s): RG178/196
 Body: Brass
 Finish: Gold
 Insulation: Teflon
 Impedence: 50 Ohms



FCC Federal Custom Cable
www.FCCable.com
 1891 Alton Parkway, Irvine, CA 92606
 Phone: (949) 851-3114 | Fax: (949) 852-8136
Sales@FCCable.com

| | | |
|--------------------|---|---|
| CAGE CODE 1UKX3 | Part Number: C1133 | Description: SMA MALE CONNECTOR CRIMP FOR RG178, RG196 CABLES |
| | | |
| Scale: N/A | NOTES: 1. DIMENSIONS ARE IN MILLIMETERS INCHES 2. UNLESS OTHERWISE SPECIFIED ALL DIMENSIONS ARE NOMINAL 3. SPECIFICATIONS ARE SUBJECT TO CHANGE WITHOUT NOTICE | THIS DRAWING CONTAINS PROPRIETARY INFORMATION THAT BELONGS TO FEDERAL CUSTOM CABLE, LLC. ANY UNAUTHORIZED USE OF THIS DRAWING IS PROHIBITED WITHOUT WRITTEN PERMISSION FROM FEDERAL CUSTOM CABLE. ALL RIGHTS RESERVED. ©2016 COPYRIGHT FEDERAL CUSTOM CABLE, LLC. |
| Revision: | | |

RG178B/U

50-Ohm Flexible Coax Cable; 0.072" Diameter, Single Shield, Tan FEP Jacket



| | |
|----------------------|-----------------|
| PART NUMBER: | RG178B/U |
| CATAGORY: | FLEXIBLE |
| DESCRIPTION: | CABLE |
| IMPEDANCE: | 50 OHMS +/-2 |
| DIELECTRIC: | EXPANDED TEFLON |
| OVERALL DIAMETER: | 0.071" |
| DIELECTRIC DIAMETER: | 0.033" |

PHYSICAL CHARACTERISTICS:

| | |
|------------------------|--|
| WEIGHT: | 6.3 LBS/1000FT |
| OPERATING TEMPERATURE: | -55 C TO +200 C |
| JACKET: | FLUORINATED ETHYLENE PROPYLENE |
| SHIELD: | SILVER PLATED COPPER |
| TEMPERATURE: | 0.0120" DIAMETER (7/0.004") SILVER COPPER CLAD STEEL |

ELECTRICAL CHARACTERISTICS:

| | |
|---------------------------------|----------------|
| CAPACITANCE: | 29.4 PFARAD/FT |
| MAXIMUM OPERATING VOLTAGE: | 1000 VRMS |
| MAXIMUM ATTENUATION (dB/100ft): | |
| A. 100 MHz: | 16.0 |
| B. 400 MHz: | 33.0 |
| C. 1 GHz: | 52.0 |
| D. 3 GHz: | 94.0 |
| E. 5 GHz: | N/A |
| F. 10 GHz: | N/A |
| MAXIMUM FREQUENCY: | 3.0 |
| MAXIMUM POWER: | |
| A. 400 MHz: | 123 |
| B. 1 GHz: | 78 |
| C. 3 GHz: | 41 |
| D. 5 GHz: | 28 |
| E. 10 GHz: | 14 |