


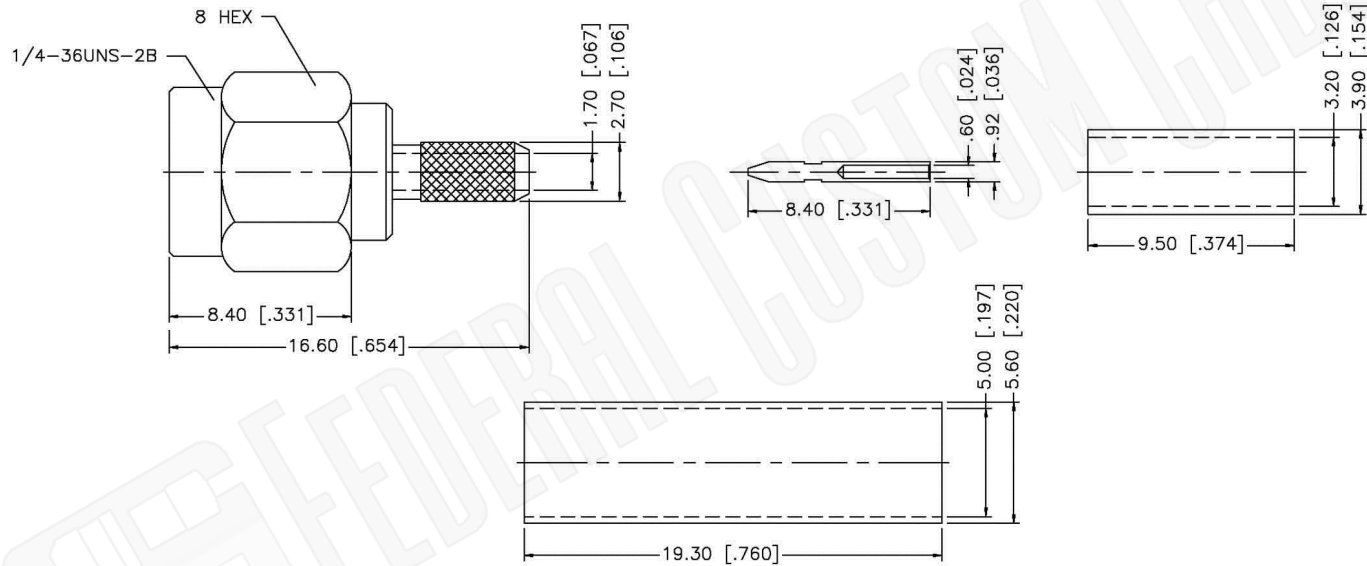
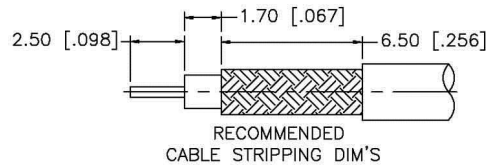
Material Specifications

Left Connector: C1127
 Right Connector: C1159
 Cable: RG316

NOTES:

1. XX EQUALS LENGTH IN INCHES

| | | | |
|---|---|--|---|
|  Federal Custom Cable www.FCCable.com 1891 Alton Parkway, Irvine, CA 92606 Phone: (949) 851-3114 Fax: (949) 852-8136 Sales@FCCable.com | CAGE CODE 1UKX3 | Part Number: CA1570-XX | Description: SMA MALE TO SMB PLUG COAX CABLE ASSEMBLY WITH RG316 FLEXIBLE CABLE |
| | Dimensions Millimeters Inches | | |
| | Scale: N/A | NOTES: 1. DIMENSIONS ARE IN MILLIMETERS INCHES 2. UNLESS OTHERWISE SPECIFIED ALL DIMENSIONS ARE NOMINAL 3. SPECIFICATIONS ARE SUBJECT TO CHANGE WITHOUT NOTICE | THIS DRAWING CONTAINS PROPRIETART INFORMATION THAT BELONGS TO FEDERAL CUSTOM CABLE, LLC. ANY UNAUTHORIZED USE OF THIS DRAWING IS PROHIBITED WITHOUT WRITTEN PERMISSION FROM FEDERAL CUSTOM CABLE. ALL RIGHTS RESERVED. ©2020 COPYRIGHT FEDERAL CUSTOM CABLE, LLC. |
| | Revision: | | |



NOTE:
1. CRIMPED FERRULE
HEX CRIMP SIZE .128"



Material Specifications

Cable(s): RG174, 188A, 316, B7805A
 Body: Brass
 Finish: Gold
 Insulation: Teflon
 Impedence: 50 Ohms

Federal Custom Cable
www.FCCable.com

1891 Alton Parkway, Irvine, CA 92606
 Phone: (949) 851-3114 | Fax: (949) 852-8136
Sales@FCCable.com

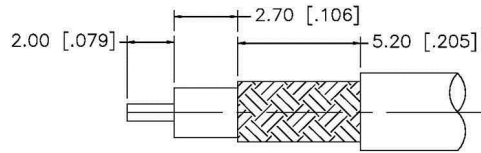
| | |
|------------------------------------|-----|
| CAGE CODE 1UKX3 | |
| Dimensions Millimeters Inches | |
| Scale: | N/A |
| Revision: | |

Part Number:
C1127

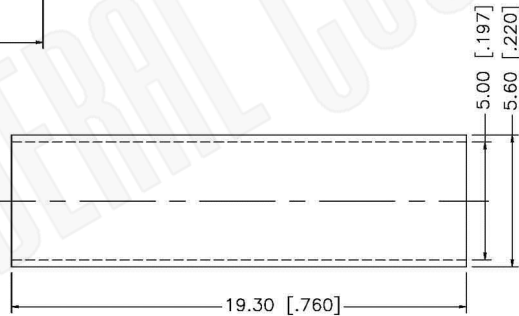
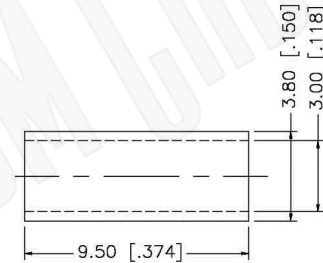
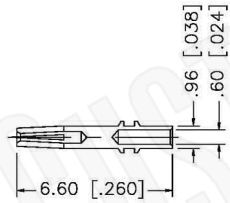
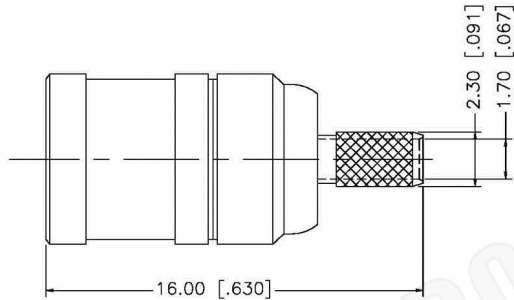
Description:
**SMA MALE CONNECTOR CRIMP FOR RG174, RG188,
RG316, B7805A CABLES**

NOTES:
1. DIMENSIONS ARE IN MILLIMETERS | INCHES
2. UNLESS OTHERWISE SPECIFIED ALL DIMENSIONS ARE NOMINAL
3. SPECIFICATIONS ARE SUBJECT TO CHANGE WITHOUT NOTICE

THIS DRAWING CONTAINS PROPRIETARY INFORMATION THAT BELONGS TO FEDERAL CUSTOM CABLE, LLC. ANY UNAUTHORIZED USE OF THIS DRAWING IS PROHIBITED WITHOUT WRITTEN PERMISSION FROM FEDERAL CUSTOM CABLE.
ALL RIGHTS RESERVED. ©2016 COPYRIGHT FEDERAL CUSTOM CABLE, LLC.



RECOMMENDED
CABLE STRIPPING DIM'S



NOTE:

1. CRIMPED FERRULE
HEX CRIMP SIZE .128"
2. CONTACT PIN TO SOLDER.

Material Specifications

Cable(s): RG174, 188A, 316, B7805A
 Body: Brass
 Finish: Gold
 Insulation: Teflon
 Impedence: 50 Ohms



Federal Custom Cable
www.FCCable.com
 1891 Alton Parkway, Irvine, CA 92606
 Phone: (949) 851-3114 | Fax: (949) 852-8136
Sales@FCCable.com

| | | |
|---|--|--|
| CAGE CODE 1UKX3 Dimensions Millimeters Inches Scale: N/A Revision: | Part Number: <h1>C1159</h1> | Description: <h2>SMB PLUG CONNECTOR CRIMP FOR RG174, RG188, RG316, B7805A CABLES</h2> |
| | NOTES: 1. DIMENSIONS ARE IN MILLIMETERS INCHES 2. UNLESS OTHERWISE SPECIFIED ALL DIMENSIONS ARE NOMINAL 3. SPECIFICATIONS ARE SUBJECT TO CHANGE WITHOUT NOTICE | THIS DRAWING CONTAINS PROPRIETARY INFORMATION THAT BELONGS TO FEDERAL CUSTOM CABLE, LLC. ANY UNAUTHORIZED USE OF THIS DRAWING IS PROHIBITED WITHOUT WRITTEN PERMISSION FROM FEDERAL CUSTOM CABLE. ALL RIGHTS RESERVED. ©2016 COPYRIGHT FEDERAL CUSTOM CABLE, LLC. |

RG316/U

50-Ohm Flexible Coax Cable; 0.098" Diameter, Single Shield, Tan FEP Jacket



| | |
|----------------------|-----------------|
| PART NUMBER: | RG316/U |
| CATAGORY: | FLEXIBLE |
| DESCRIPTION: | CABLE |
| IMPEDANCE: | 50 OHMS +/-2 |
| DIELECTRIC: | EXPANDED TEFLON |
| OVERALL DIAMETER: | 0.098" |
| DIELECTRIC DIAMETER: | 0.060" |

PHYSICAL CHARACTERISTICS:

| | |
|------------------------|---|
| SHIELD: | SILVER PLATED COPPER |
| JACKET: | FLURINATED ETHYLENE PROPYLENE |
| OPERATING TEMPERATURE: | -55 C TO +200 C |
| WEIGHT: | 12.2 LBS/1000FT |
| CENTER CONDUCTOR: | 0.0201" DIAMETER (7/0.0067") SILVER COPPER CLAD STEEL |

ELECTRICAL CHARACTERISTICS:

| | |
|------------------------|----------------|
| CAPACITANCE: | 29.4 PFARAD/FT |
| MAX OPERATING VOLTAGE: | 1200 VRMS |
| MAXIMUM ATTENUATION: | (db/100FT) |
| A. 100 MHz: | 11.0 |
| B. 400 MHz: | 21.0 |
| C. 1 GHz: | 38.0 |
| D. 3 GHz: | 58.0 |
| E. 5 GHz: | N/A |
| F. 10 GHz: | N/A |
| MAXIMUM FREQUENCY: | 3.0 |
| MAXIMUM POWER: | |
| A. 400 MHz: | 240 |
| B. 1 GHz: | 160 |
| C. 3 GHz: | 80 |
| D. 5 GHz: | 57 |
| E. 10 GHz: | 30 |