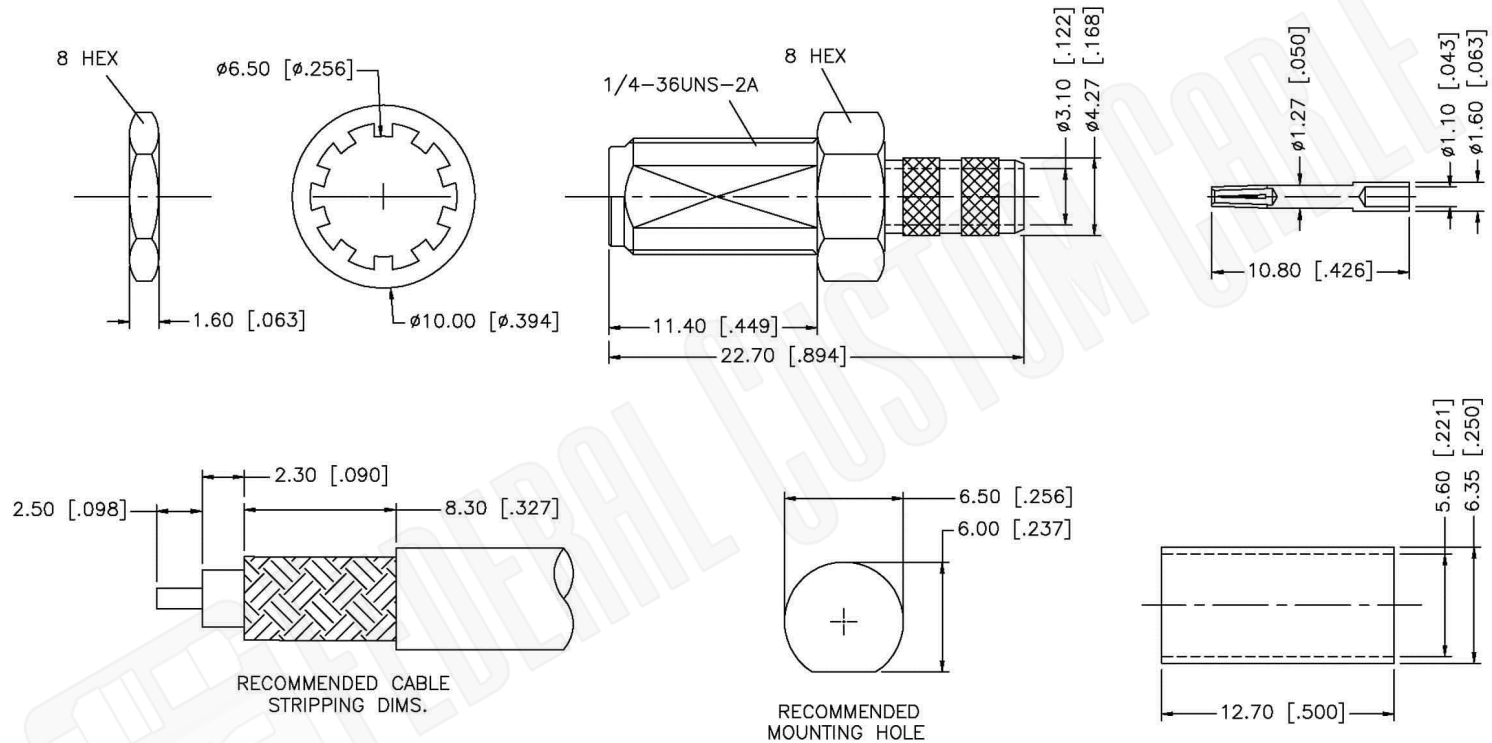


**Material Specifications**

Left Connector: C1123  
 Right Connector: C1196  
 Cable: RG142

**FCC** Federal Custom Cable  
[www.FCCable.com](http://www.FCCable.com)  
 1891 Alton Parkway, Irvine, CA 92606  
 Phone: (949) 851-3114 | Fax: (949) 852-8136  
[Sales@FCCable.com](mailto:Sales@FCCable.com)


<b>CAGE CODE</b> 1UKX3	<b>Part Number:</b> CA1732-XX	<b>Description:</b> SMA FEMALE BULKHEAD TO TNC MALE CABLE ASSEMBLY WITH RG142 CABLE
<b>Scale:</b> N/A	<b>NOTES:</b> 1. DIMENSIONS ARE IN MILLIMETERS   INCHES 2. UNLESS OTHERWISE SPECIFIED ALL DIMENSIONS ARE NOMINAL 3. SPECIFICATIONS ARE SUBJECT TO CHANGE WITHOUT NOTICE	THIS DRAWING CONTAINS PROPRIETARY INFORMATION THAT BELONGS TO FEDERAL CUSTOM CABLE, LLC. ANY UNAUTHORIZED USE OF THIS DRAWING IS PROHIBITED WITHOUT WRITTEN PERMISSION FROM FEDERAL CUSTOM CABLE. ALL RIGHTS RESERVED. ©2016 COPYRIGHT FEDERAL CUSTOM CABLE, LLC.
<b>Revision:</b>		

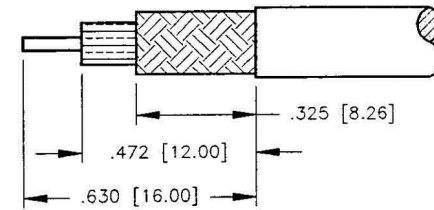
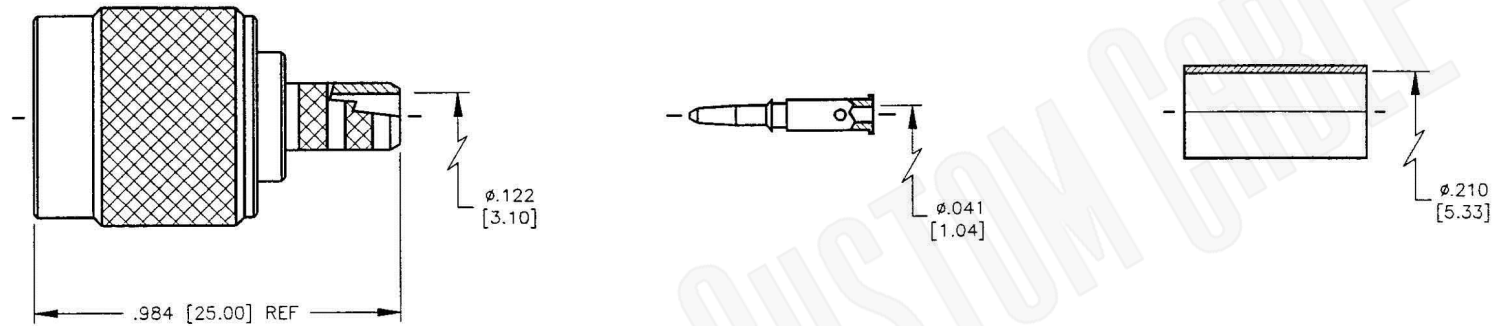


**Material Specifications**

Cable(s): RG55,142,223,400  
 Body: Brass  
 Finish: Gold  
 Insulation: Teflon  
 Impedence: 50 Ohms



 <b>Federal Custom Cable</b> www.FCCable.com 1891 Alton Parkway, Irvine, CA 92606 Phone: (949) 851-3114   Fax: (949) 852-8136 Sales@FCCable.com	<b>CAGE CODE</b> 1UKX3	<b>Part Number:</b>  <b>C1123</b>	<b>Description:</b>  <b>SMA FEMALE CONNECTOR BULKHEAD CRIMP FOR RG55, RG142, RG223, RG400 CABLES</b>	
	<b>Dimensions</b> Millimeters   Inches			
	<b>Scale:</b> N/A	<b>NOTES:</b> 1. DIMENSIONS ARE IN MILLIMETERS   INCHES 2. UNLESS OTHERWISE SPECIFIED ALL DIMENSIONS ARE NOMINAL 3. SPECIFICATIONS ARE SUBJECT TO CHANGE WITHOUT NOTICE	THIS DRAWING CONTAINS PROPRIETARY INFORMATION THAT BELONGS TO FEDERAL CUSTOM CABLE, LLC. ANY UNAUTHORIZED USE OF THIS DRAWING IS PROHIBITED WITHOUT WRITTEN PERMISSION FROM FEDERAL CUSTOM CABLE. ALL RIGHTS RESERVED. ©2016 COPYRIGHT FEDERAL CUSTOM CABLE, LLC.	
	<b>Revision:</b>			



SUGGESTED STRIPPING INSTRUCTIONS  
SUGGESTED CRIMP DIES: .068 & .213

**Material Specifications**

Cable(s): RG55,142,223,400  
Body: Brass  
Finish: Nickel  
Insulation: Teflon  
Impedence: 50 Ohms



**FCC** Federal Custom Cable  
www.FCCable.com

CAGE CODE  
1UKX3

Part Number:

Description:

**C1196**

**TNC MALE CONNECTOR CRIMP FOR RG55, RG142,  
RG223, RG400 CABLES**

1891 Alton Parkway, Irvine, CA 92606  
Phone: (949) 851-3114 | Fax: (949) 852-8136  
Sales@FCCable.com

Dimensions  
Millimeters | Inches

Scale: N/A

Revision:

NOTES:  
1. DIMENSIONS ARE IN MILLIMETERS | INCHES  
2. UNLESS OTHERWISE SPECIFIED ALL DIMENSIONS ARE NOMINAL  
3. SPECIFICATIONS ARE SUBJECT TO CHANGE WITHOUT NOTICE

THIS DRAWING CONTAINS PROPRIETARY INFORMATION THAT BELONGS TO FEDERAL CUSTOM CABLE, LLC. ANY UNAUTHORIZED USE OF THIS DRAWING IS PROHIBITED WITHOUT WRITTEN PERMISSION FROM FEDERAL CUSTOM CABLE. ALL RIGHTS RESERVED. ©2016 COPYRIGHT FEDERAL CUSTOM CABLE, LLC.

# RG142B/U

## 50-Ohm Flexible Coax Cable; 0.195" Diameter, Single Shield, Tan FEP Jacket



PART NUMBER:	<b>RG142B/U</b>
CATAGORY:	FLEXIBLE
DESCRIPTION:	CABLE
IMPEDANCE:	50 OHMS
DIELECTRIC:	TEFLON
OVERALL DIAMETER:	0.195"
DIELECTRIC DIAMETER:	0.116"

### PHYSICAL CHARACTERISTICS:

SHIELD:	DOUBLE BRAID SILVER PLATED COPPER
JACKET:	FLUORINATED ETHYLENE PROPYLENE
OPERATING TEMPERATURE:	-55 C TO +200 C
WEIGHT:	43 LBS/1000FT
CENTER CONDUCTOR:	0.037" DIAMETER (SILVER PLATED COPPER-CLAD STEEL)

### ELECTRICAL CHARACTERISTICS:

CAPACITANCE:	29.4 PFARAD/FT
MAXIMUM OPERATING VOLTAGE:	1900 VRMS
MAXIMUM ATTENUATION:	(dB/100ft)
A. 100 MHz:	5.5
B. 400 MHz:	11.7
C. 1 GHz:	19.0
D. 3 GHz:	35.0
E. 5 GHz:	48.0
MAXIMUM FREQUENCY (GHz):	12.4
MAXIMUM POWER:	
A. 400 MHz:	110
B. 1 GHz:	550
C. 3 GHz:	350
D. 5 GHz:	245
E. 10 GHz:	140