


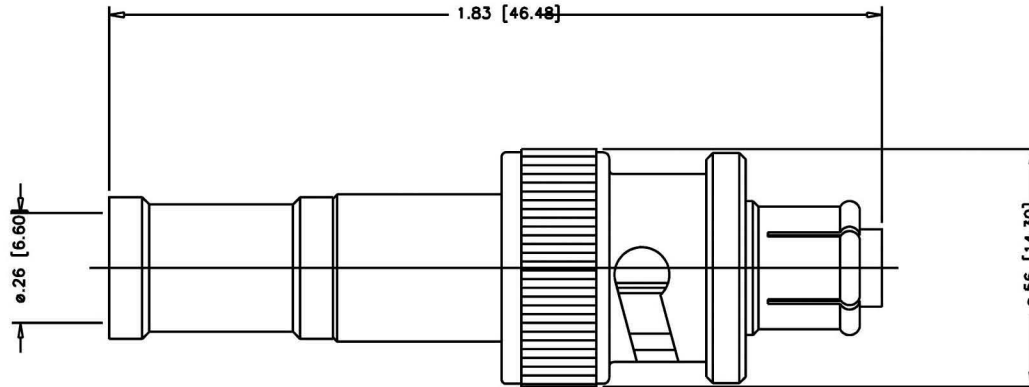
Material Specifications

Left Connector: C1102
 Right Connector: C1102
 Cable: RG59

NOTES:

1. XX EQUALS LENGTH IN INCHES
2. LF DESIGNATES LEAD FREE SOLDER


 <p>Federal Custom Cable www.FCCable.com</p> <p>1891 Alton Parkway, Irvine, CA 92606 Phone: (949) 851-3114 Fax: (949) 852-8136 Sales@FCCable.com</p>	<p>CAGE CODE 1UKX3</p>	<p>Part Number: CA2280LF-XX</p>	<p>Description: SHV PLUG TO SHV PLUG COAX CABLE ASSEMBLY WITH RG59 FLEXIBLE CABLE ROHS LEAD FREE</p>
	<p>Dimensions Millimeters Inches</p>		
	<p>Scale: N/A</p>	<p>NOTES: 1. DIMENSIONS ARE IN MILLIMETERS INCHES 2. UNLESS OTHERWISE SPECIFIED ALL DIMENSIONS ARE NOMINAL 3. SPECIFICATIONS ARE SUBJECT TO CHANGE WITHOUT NOTICE</p>	<p>THIS DRAWING CONTAINS PROPRIETARY INFORMATION THAT BELONGS TO FEDERAL CUSTOM CABLE, LLC. ANY UNAUTHORIZED USE OF THIS DRAWING IS PROHIBITED WITHOUT WRITTEN PERMISSION FROM FEDERAL CUSTOM CABLE. ALL RIGHTS RESERVED. ©2016 COPYRIGHT FEDERAL CUSTOM CABLE, LLC.</p>
	<p>Revision:</p>		



Material Specifications

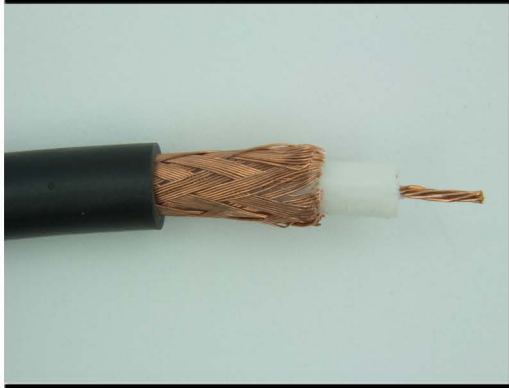
Cable(s): RG59,62,140,210
 Body: Brass
 Finish: Nickel
 Insulation: Teflon
 Impedence: 50 Ohms



 Federal Custom Cable www.FCCable.com 1891 Alton Parkway, Irvine, CA 92606 Phone: (949) 851-3114 Fax: (949) 852-8136 Sales@FCCable.com	CAGE CODE 1UKX3	Part Number: C1102	Description: SHV PLUG CONNECTOR CRIMP FOR RG59, RG62, RG140, RG210
	Dimensions Millimeters Inches		
	Scale: N/A	NOTES: 1. DIMENSIONS ARE IN MILLIMETERS INCHES 2. UNLESS OTHERWISE SPECIFIED ALL DIMENSIONS ARE NOMINAL 3. SPECIFICATIONS ARE SUBJECT TO CHANGE WITHOUT NOTICE	THIS DRAWING CONTAINS PROPRIETARY INFORMATION THAT BELONGS TO FEDERAL CUSTOM CABLE, LLC. ANY UNAUTHORIZED USE OF THIS DRAWING IS PROHIBITED WITHOUT WRITTEN PERMISSION FROM FEDERAL CUSTOM CABLE. ALL RIGHTS RESERVED. ©2016 COPYRIGHT FEDERAL CUSTOM CABLE, LLC.
	Revision:		

RG59B/U

75-Ohm Flexible Coax Cable; 0.242" Diameter, Single Shield, Black PVC(NC) Jacket



PART NUMBER:	RG59B/U
CATAGORY:	FLEXIBLE
DESCRIPTION:	CABLE
IMPEDANCE:	75 OHMS
DIELECTRIC:	POLYETHYLENE
OUTSIDE DIAMETER:	0.146"
NOMINAL OUTSIDE DIAMETER:	0.242"
QUALIFICATION:	M17/29-RG059

PHYSICAL CHARACTERISTICS:

OUTER CONDUCTOR & TYPE OF SHIELD:	94% BARE COPPER, 2.6 OHM/1000FT
JACKET MATERIAL:	POLYVINYL CHLORIDE-II A, BLACK
OVER-BRAID:	N/A
INNER CONDUCTOR:	0.0266, COPPER CLAD STEEL, 23 AWG, 47.0 OHM/1000FT NOMINAL DIRECT CURRENT RESISTANCE

ELECTRICAL CHARACTERISTICS:

NOMINAL CAPACITANCE (PICO FARAD/FT):	19.5
VELOCITY OF PROPAGATION:	66%
MAXIMUM OPERATING FREQUENCY (GHz):	1.0
MAXIMUM OPERATING RANGE (C):	-40 TO +85
MAXIMUM ATTENUATION:	dB (MHz/100FT)
A. 50 MHz:	2.4
B. 100 MHz:	3.4
C. 200 MHz:	4.9
D. 400 MHz:	9.0
E. 1000 MHz:	16.0
QUALIFICATION TEST REPORT#:	17-074-90
APPROX WT/1000FT:	35 LBS.