

FEDERAL CUSTOM CABLE

www.FCCABLE.com

Part Number: **DCB1121**
 Product Type: **DC BLOCK**
 Description: **TNC MALE - FEMALE 10MHZ-18GHZ
 INNER/OUTER**

Material Specifications

Electrical:

Frequency Range	10 MHz – 18 GHz
VSWR	1.35:1 Max.
Impedance	50 Ohms
Insertion Loss	0.75 dB Max.
Voltage Rating	200 Volts Max.
Operating Temp. Range	-65°C to +125°C

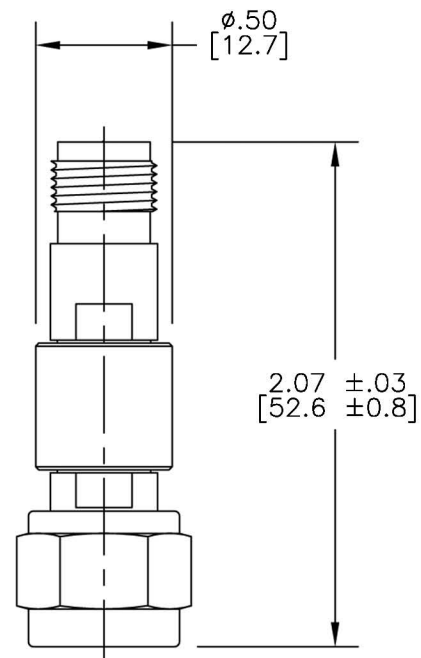
Mechanical:

TNC Connectors	Passivated Stainless Steel
Mates with MIL-STD-348	
Conductors	Gold Plated Beryllium Copper
Housings:	
Inner Only Blocks	Passivated Stainless Steel
Outer and Inner/Outer Blocks	High Temperature Plastic



TABLE

BLOCK TYPE	CONN. CONFIG.	WEIGHT GRAMS MAX.	DIAMETER	LENGTH
INNER-OUTER	MALE/FEMALE	36.4	∅.50 [12.7]	2.07 ±.03 [52.6 ±0.8]



1891 Alton Prkwy | Irvine, California 92606

Local Call: (949) 851-3114 | Toll Free: (888) 440-8688 | Local Fax: (949) 852-8136 | Toll Free Fax: (800)874-2444