

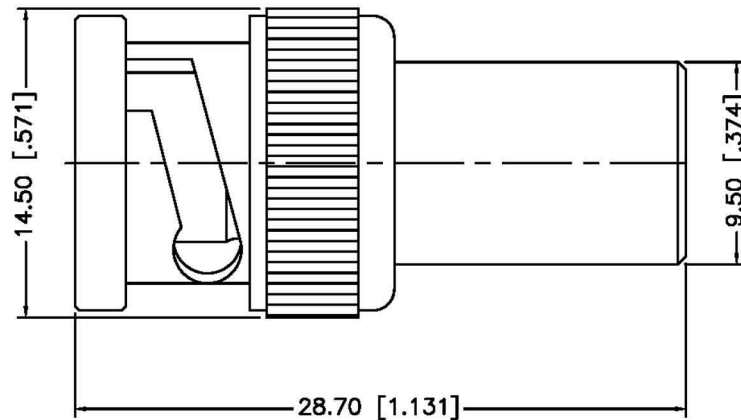
FEDERAL CUSTOM CABLE

www.FCCABLE.com

Part Number: **RT1104-50**
Product Type: **RESISTOR TERMINATION**
Description: **BNC MALE RESISTOR TERMINATION 1/2W
WITHOUT CHAIN**

Material Specifications

Cable(s): N/A
Body: Brass
Finish: Nickel
Insulation: N/A
Impedence: 50 Ohms



NOTES:

1. TESTING VALUE VSWR 1.2 MAX. AT 0.3 MHz~1 GHz
2. RESISTOR TOLERANCE 50ohm 1% 0.5 WATT

1891 Alton Prkwy | Irvine, California 92606

Local Call: (949) 851-3114 | Toll Free: (888) 440-8688 | Local Fax: (949) 852-8136 | Toll Free Fax: (800)874-2444