

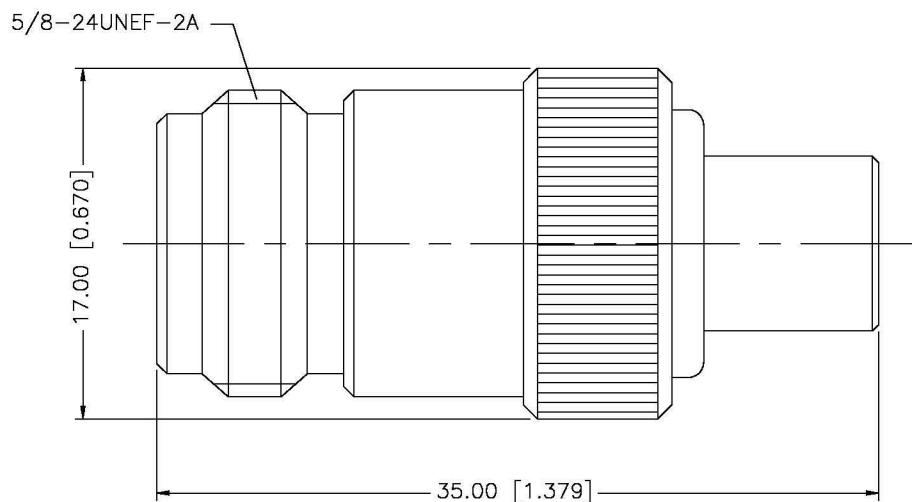
FEDERAL CUSTOM CABLE

www.FCCABLE.com

Part Number: **RT1111-50**
Product Type: **RESISTOR TERMINATION**
Description: **N FEMALE RESISTOR TERMINATION 1/2W
WITH NO CHAIN**

Material Specifications

Cable(s): N/A
Body: Brass
Finish: White Bronze
Insulation: Teflon
Impedence: 50 Ohms



1891 Alton Prkwy | Irvine, California 92606

Local Call: (949) 851-3114 | Toll Free: (888) 440-8688 | Local Fax: (949) 852-8136 | Toll Free Fax: (800)874-2444